

Octab Range - Lite

Specifications

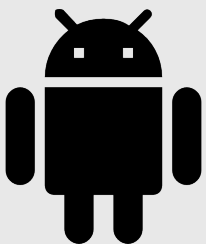
AD SERIES



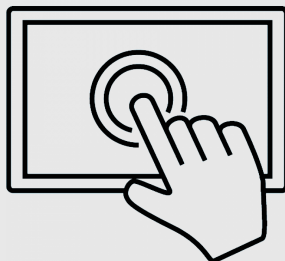
Octab Range - Lite

Low cost, highly reliable professional tablets for deploying Android. Designed for 24/7 Commercial use. Compact & rugged. Touchscreen as standard. Also available with no touch.

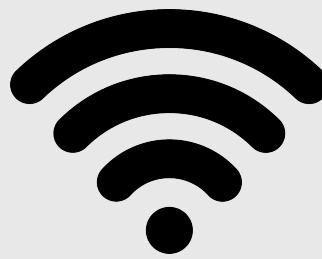
Key Features



Android



Capacitive Touchscreen



Wifi Enabled



24 Hour Commercial Use



Overview

Low cost, highly reliable professional tablets for deploying Android. Designed for 24/7 Commercial use. Compact & rugged. Touchscreen as standard. Also available with no touch.

Markets

Our Android tablets are designed to address retail and commercial sector applications unmatched by consumer tablets – robust, highly reliable and in an unbeatable range of sizes. They cater for both simple and more complex apps

Benefits

- Compact & rugged.
- A64 Lite,
- Highly reliable, designed for 24/7 commercial use
- Auto-on
- Smaller screen sizes available
- Available for customisation and economical for larger production

Key Features



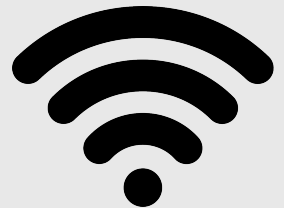
Android



24 Hour Commercial Use



Capacitive Touchscreen



Wifi Enabled

Octab Range - Lite

Specifications

AD SERIES

Product Details				
Product Code	OCTAB101P-T-1	OCTAB116P-T-1	OCTAB141P-T-1	OCTAB156P-T-1
Screen size				
Screen Size	10.1"	11.6"	14.1"	15.6"
Panel				
Resolution	1280x800	1920x1080	1920x1080	1920x1080
Aspect Ratio	16:9	16:9	16:9	16:9
Viewing Angle	89x89x89x89	89x89x89x89	85x85x85x85	85x85x85x85
Active Area	216.96x135.6	256.32x144.18	309.21x173.98	344.16x193.59
Brightness	250-600	250-600	250-600	250-600
Contrast	900:1	800:1	800:1	800:1
Touch				
Touch Technology	Capacitive Touch (G+G optional)	Capacitive Touch (G+G optional)	Capacitive Touch (G+G optional)	Capacitive Touch (G+G optional)
Touch Points	10	10	10	10
Hardware & OS				
CPU	A64 Quad Core	A64 Quad Core	A64 Quad Core	A64 Quad Core
RAM	1Gb	1Gb	1Gb	1Gb
Storage	8Gb	8Gb	8Gb	8Gb
OS	Android version 6.1	Android version 6.1	Android version 6.1	Android version 6.1
Power				
Power Consumption	24	24	36	36
Power Requirement	12V 2A	12V 2A	12V 3A	12V 3A (2A)
Power Jack	USB Host 2.0 Interface 2	USB Host 2.0 Interface 2	USB Host 2.0 Interface 2	USB Host 2.0 Interface 2
Connections				
USB Device	Yes	Yes	Yes	Yes
USB Host	1.7mm	1.7mm	1.7mm	1.7mm
HDMI	HDMI Output	HDMI Output	HDMI Output	HDMI Output
Wifi	WiFi 2.4 GHz 802.11b/g/n (optional 5GHz 802.11a)	WiFi 2.4 GHz 802.11b/g/n (optional 5GHz 802.11a)	WiFi 2.4 GHz 802.11b/g/n (optional 5GHz 802.11a)	WiFi 2.4 GHz 802.11b/g/n (optional 5GHz 802.11a)
Ethernet	No	No	No	No
Bluetooth	Bluetooth 4.0	Bluetooth 4.0	Bluetooth 4.0	Bluetooth 4.0
3G dongle	3G USB dongle ext.	3G USB dongle ext.	3G USB dongle ext.	3G USB dongle ext.
Card Slot	SD,Support up to 32GB	SD,Support up to 32GB	SD,Support up to 32GB	SD,Support up to 32GB
Earphone	3.5mm earphone	3.5mm earphone	3.5mm earphone	3.5mm earphone
Media				
Video Format	WMV, AVI, FLV, RM, RMBV, MPEG, TS, MP4, etc. RK3288: support up to 1080p	WMV, AVI, FLV, RM, RMBV, MPEG, TS, MP4, etc. RK3288: support up to 1080p	WMV, AVI, FLV, RM, RMBV, MPEG, TS, MP4, etc. RK3288: support up to 1080p	WMV, AVI, FLV, RM, RMBV, MPEG, TS, MP4, etc. RK3288: support up to 1080p
Image Format	BMP, JPEG, PNG, GIF	BMP, JPEG, PNG, GIF	BMP, JPEG, PNG, GIF	BMP, JPEG, PNG, GIF
Audio Format	MP3/WMA/AAC	MP3/WMA/AAC	MP3/WMA/AAC	MP3/WMA/AAC
Optional				
Camera	2.0M/P Front	2.0M/P Front	2.0M/P Front	2.0M/P Front
Accessories				
Included In Box	Power Supply	Power Supply	Power Supply	Power Supply
General Information				
Speakers	2x 2W	2x 2W	2x 2W	2x 3W
Colour	Black	Black	Black	Black
Language	Multi-language	Multi-language	Multi-language	Multi-language
Working Temperature	0-50 degrees	0-50 degrees	0-50 degrees	0-50 degrees
Unit Size (LxWxHmm)	260.54x178.54x27.50	284.65x182.25x27.48	355x228x7	403.76x252.76x33.50
Package Size (LxWxHmm)	286x256x74	350x25875	373x320x78	480x295x88
Vesa Mounting (mm)	75x75	75x75	75x75	75x75
Unit Weight (kg)	0.65	0.44	0.95	1.36
Package Weight (kg)	0.82	0.76	1.4	2.25

*Specifications are typical and subject to change.

Call Us: +44 (0)870 005 5520



Email: eva2@adseries.com

Octab Range - Lite

Specifications



Product Details						
Product Code	OCTAB173P-T-1	OCTAB215P-T-1	OCTAB238P-T-1	OCTAB270P-T-1	OCTAB320P-T-1	
Screen size						
Screen Size	17.3"	21.5"	23.8"	27"	32"	
Panel						
Resolution	1920x1080	1920x1080	1920x1080	1920x1080	1920x1080	
Aspect Ratio	16:9	16:9	16:9	16:9	16:9	
Viewing Angle	85x85x85x85	89x89x89x89	89x89x89x89	89x89x89x89	89x89x89x89	
Active Area	381.89x214.81	474.64x268.11	527.04x296.46	597.6x336.15	698.4x392.85	
Brightness	250-600	250-600	250-600	250-600	250-600	
Contrast	800:1	3000:1	1000:1	3000:1	1000:1	
Touch						
Touch Technology	Capacitive Touch (G+G optional)	Capacitive Touch (G+G optional)	Capacitive Touch (G+G optional)	Capacitive Touch (G+G optional)	Capacitive Touch (G+G optional)	
Touch Points	10	10	10	10	10	
Hardware & OS						
CPU	A64 Quad Core	A64 Quad Core	A64 Quad Core	A64 Quad Core	A64 Quad Core	
RAM	1Gb	1Gb	1Gb	1Gb	1Gb	
Storage	8Gb	8Gb	8Gb	8Gb	8Gb	
OS	Android version 6.1	Android version 6.1	Android version 6.1	Android version 6.1	Android version 6.1	
Power						
Power Consumption	36	36	48	48	60	
Power Requirement	12V 3A	12V 3A	12V 4A	12V 4A	12V 5A	
Power Jack	USB Host 2.0 Interface 2	USB Host 2.0 Interface 2	USB Host 2.0 Interface 2	USB Host 2.0 Interface 2	USB Host 2.0 Interface 2	
Connections						
USB Device	Yes	Yes	Yes	Yes	Yes	
USB Host	1.7mm	1.7mm	1.7mm	1.7mm	1.7mm	
HDMI	HDMI Output	HDMI Output	HDMI Output	HDMI Output	HDMI Output	
Wifi	WiFi 2.4 GHz 802.11b/g/n (optional 5GHz 802.11a)	WiFi 2.4 GHz 802.11b/g/n (optional 5GHz 802.11a)	WiFi 2.4 GHz 802.11b/g/n (optional 5GHz 802.11a)	WiFi 2.4 GHz 802.11b/g/n (optional 5GHz 802.11a)	WiFi 2.4 GHz 802.11b/g/n (optional 5GHz 802.11a)	
Ethernet	No	No	No	Yes	Yes	
Bluetooth	Bluetooth 4.0	Bluetooth 4.0	Bluetooth 4.0	Bluetooth 4.0	Bluetooth 4.0	
3G dongle	3G USB dongle ext.	3G USB dongle ext.	3G USB dongle ext.	3G USB dongle ext.	3G USB dongle ext.	
Card Slot	SD,Support up to 32GB	SD,Support up to 32GB	SD,Support up to 32GB	SD,Support up to 32GB	SD,Support up to 32GB	
Earphone	3.5mm earphone	3.5mm earphone	3.5mm earphone	3.5mm earphone	3.5mm earphone	
Media						
Video Format	WMV, AVI, FLV, RM, RMBV, MPEG, TS, MP4, etc. RK3288: support up to 1080p	WMV, AVI, FLV, RM, RMBV, MPEG, TS, MP4, etc. RK3288: support up to 1080p	WMV, AVI, FLV, RM, RMBV, MPEG, TS, MP4, etc. RK3288: support up to 1080p	WMV, AVI, FLV, RM, RMBV, MPEG, TS, MP4, etc. RK3288: support up to 1080p	WMV, AVI, FLV, RM, RMBV, MPEG, TS, MP4, etc. RK3288: support up to 1080p	
Image Format	BMP, JPEG, PNG, GIF	BMP, JPEG, PNG, GIF	BMP, JPEG, PNG, GIF	BMP, JPEG, PNG, GIF	BMP, JPEG, PNG, GIF	
Audio Format	MP3/WMA/AAC	MP3/WMA/AAC	MP3/WMA/AAC	MP3/WMA/AAC	MP3/WMA/AAC	
Optional						
Camera	2.0M/P Front	2.0M/P Front	N/A (optional)	N/A (optional)	N/A (optional)	
Accessories						
Included In Box	Power Supply	Power Supply	Power Supply	Power Supply	Power Supply	
General Information						
Speakers	2x 3W	2x 3W	2x 5W	2x 5W	2x 5W	
Colour	Black	Black	Black	Black	Black	
Language	Multi-language	Multi-language	Multi-language	Multi-language	Multi-language	
Working Temperature	0-50 degrees	0-50 degrees	0-50 degrees	0-50 degrees	0-50 degrees	
Unit Size (LxWxHmm)		539.11x332.21x39.75	595.5x363.1x43.6	660.27x400x41.03	763.77x457.21x47.02	
Package Size (LxWxHmm)		582x430x89	660x455x115	725x490x120	860x555x135	
Vesa Mounting (mm)	100x100	100x100	100x100	75x75, 100x100	75x75, 100x100	
Unit Weight (kg)		2.84	5	6.9	9.45	
Package Weight (kg)		3.75	6.5	8.85	10.52	

*Specifications are typical and subject to change.

Call Us: +44 (0)870 005 5520



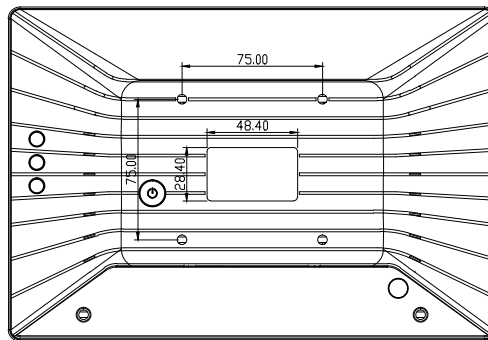
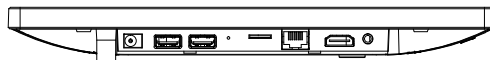
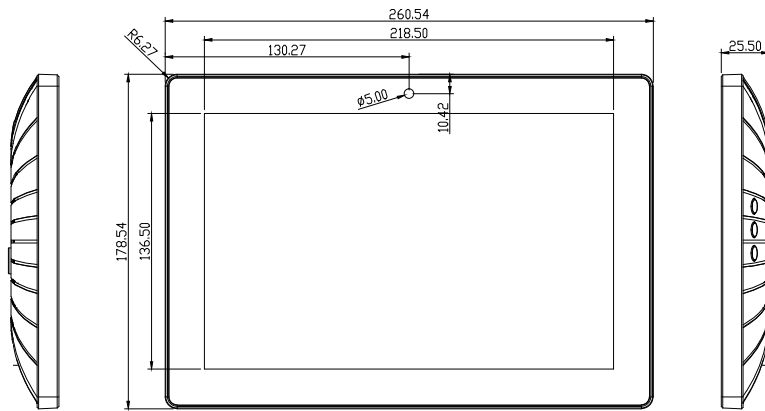
Email: eva2@adseries.com

Technical Drawings Index Octab

Screen Size	Page number
10.1"	<u>6</u>
11.6"	<u>7</u>
14.1"	<u>8</u>
15.6"	<u>9</u>
17.3"	<u>10</u>
21.5"	<u>11</u>
23.8"	<u>12</u>
27"	<u>13</u>
32"	<u>14</u>

Octab 10.1" - OCTAB101P-T-1

Specifications



*Specifications are typical and subject to change.

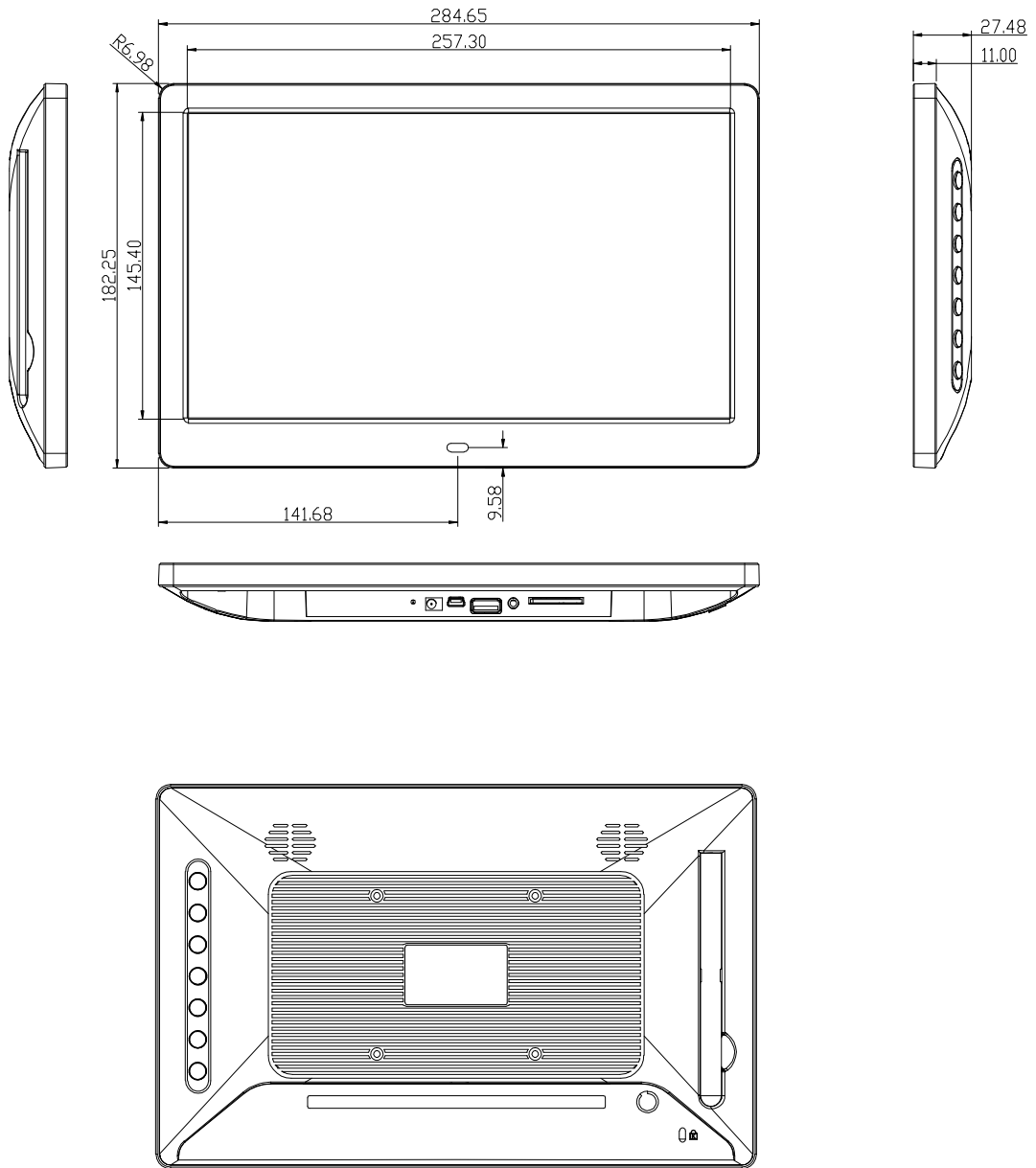
Call Us: +44 (0)870 005 5520



Email: eva2@adseries.com

Octab 11.6" - OCTAB116P-T-1

Specifications



*Specifications are typical and subject to change.

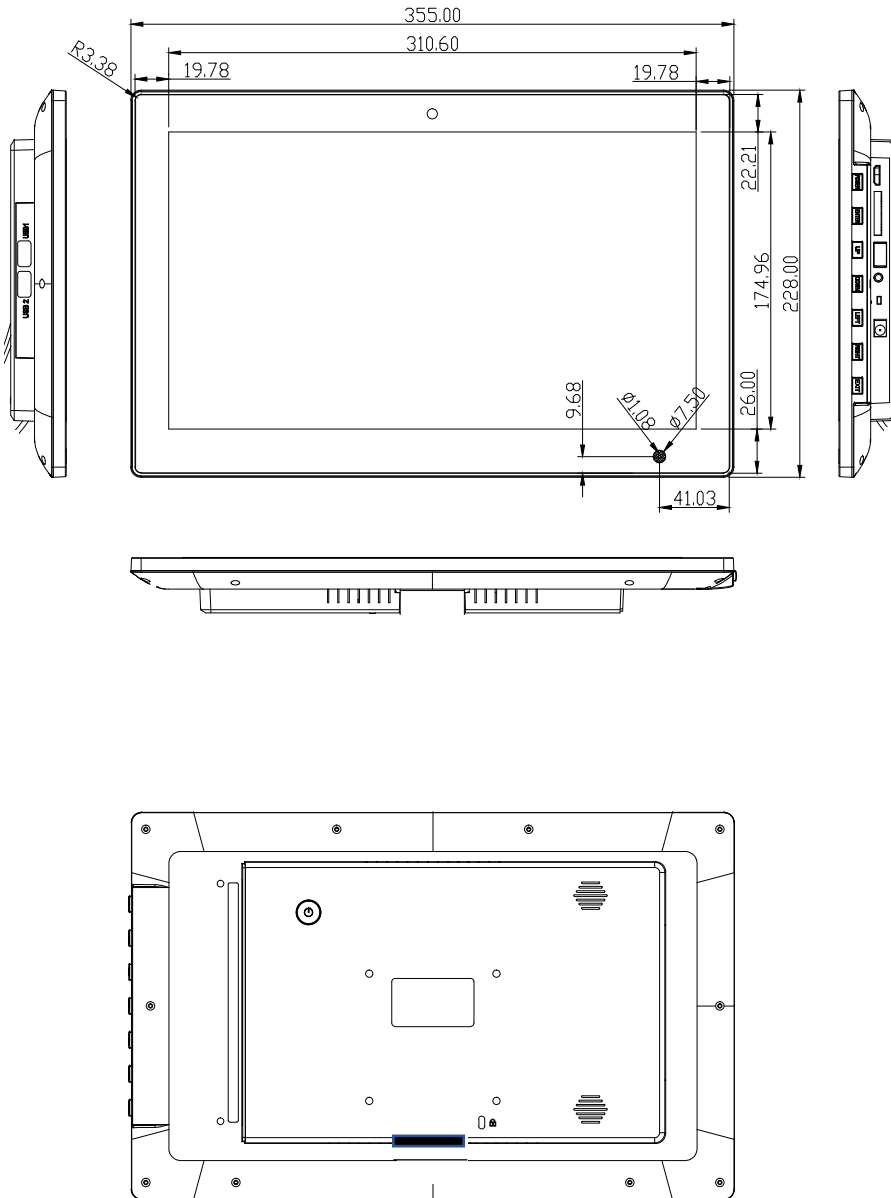
Call Us: +44 (0)870 005 5520



Email: eva2@adseries.com

Octab 14.1" - OCTAB141P-T-1

Specifications



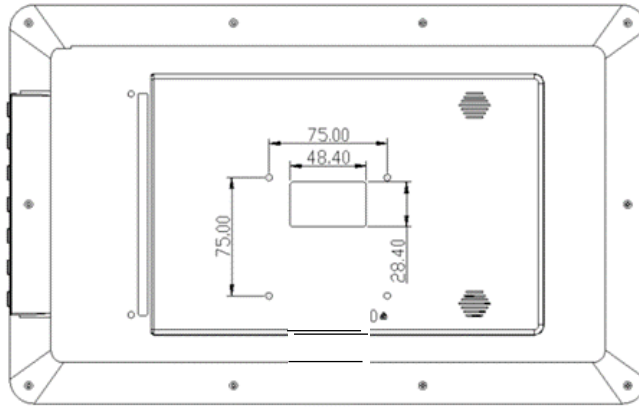
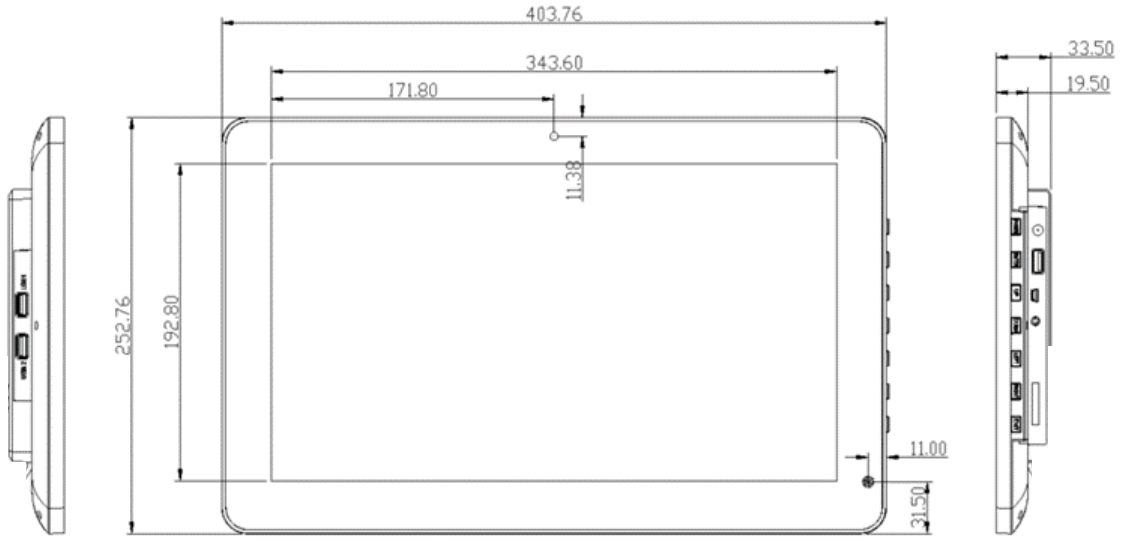
*Specifications are typical and subject to change.

Call Us: +44 (0)870 005 5520

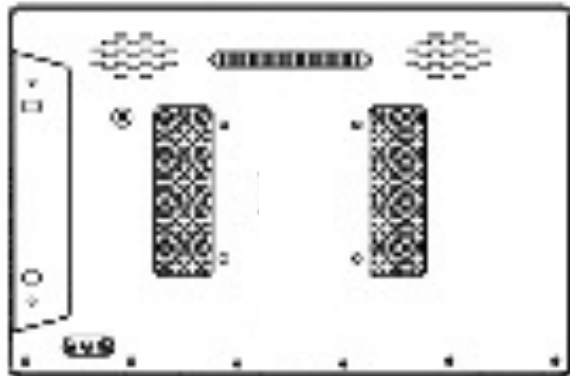
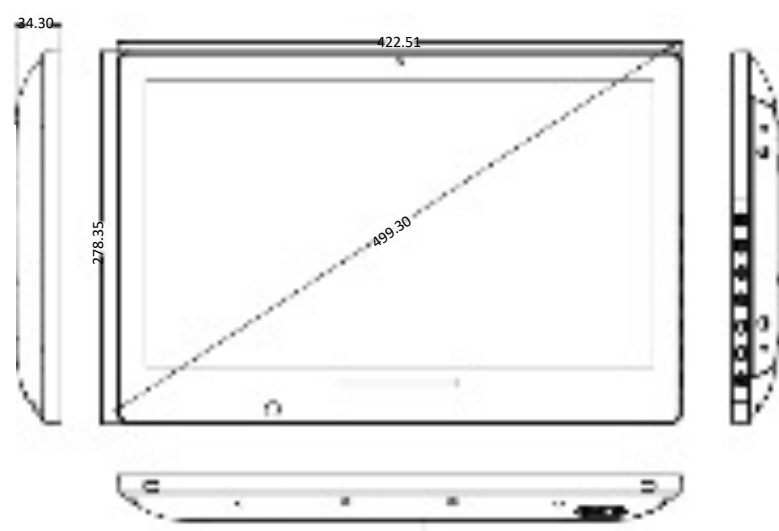


Email: eva2@adseries.com

Octab 15.6" - OCTAB156P-T-1



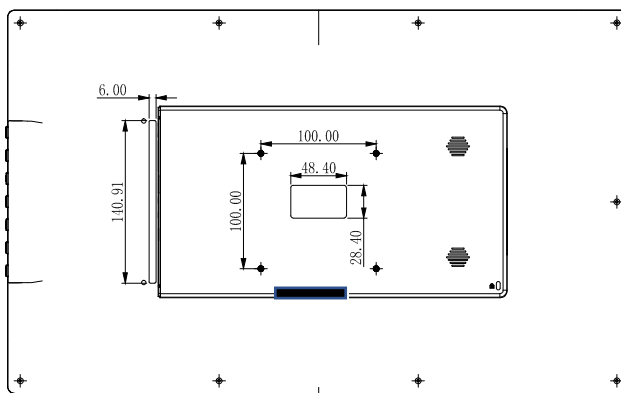
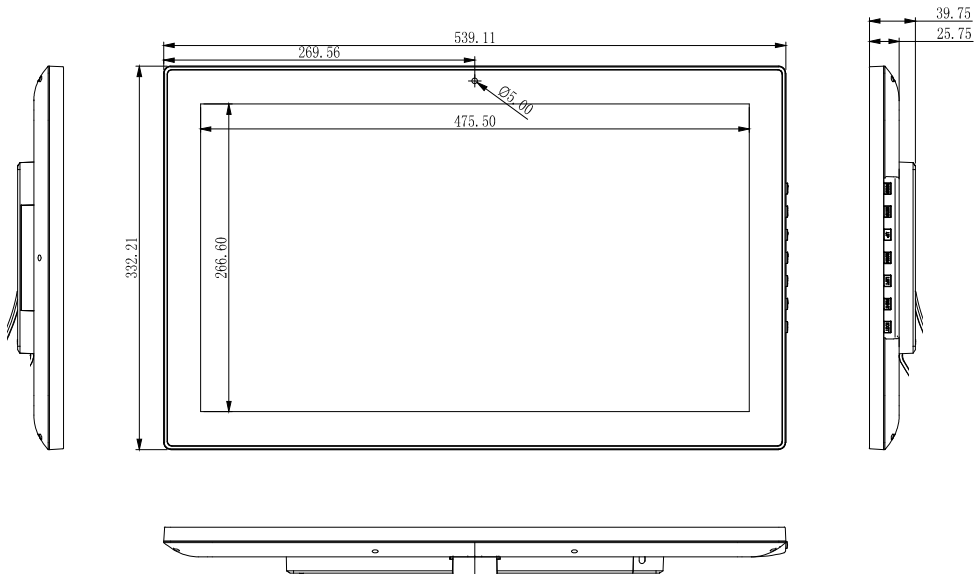
*Specifications are typical and subject to change.



*Specifications are typical and subject to change.

Octab 21.5" - OCTAB215P-T-1

Specifications

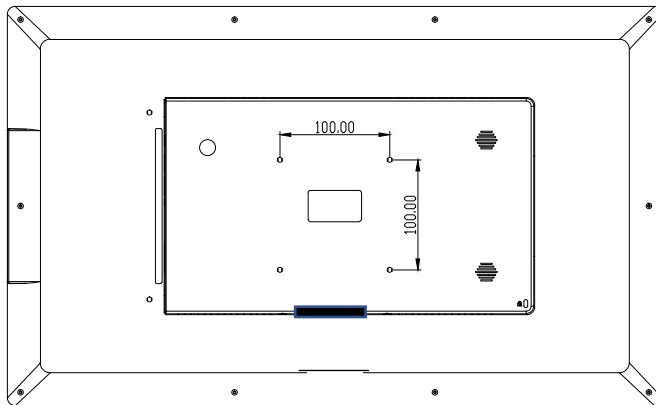
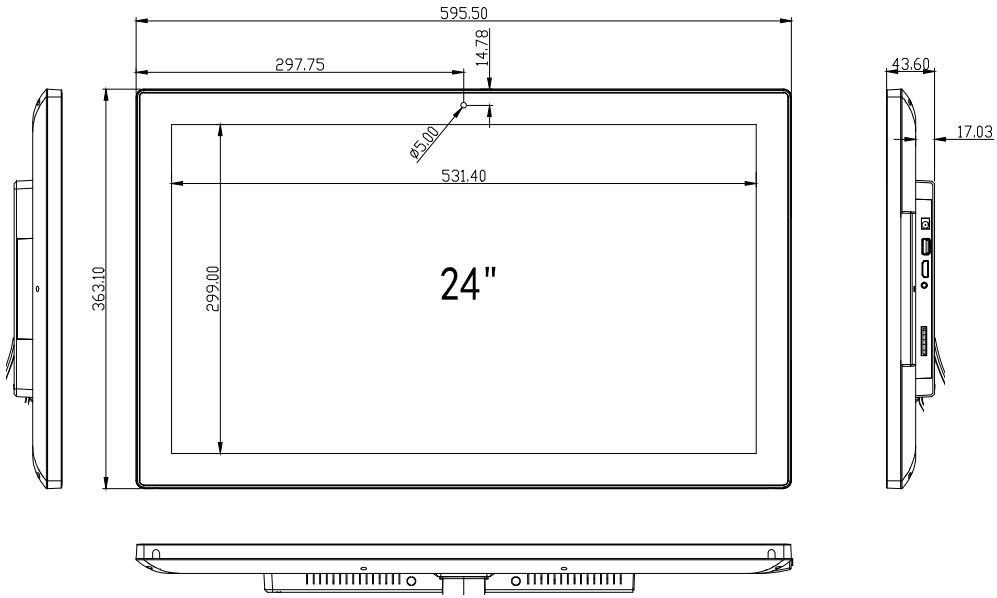


*Specifications are typical and subject to change.

Octab 23.8" - OCTAB238P-T-1



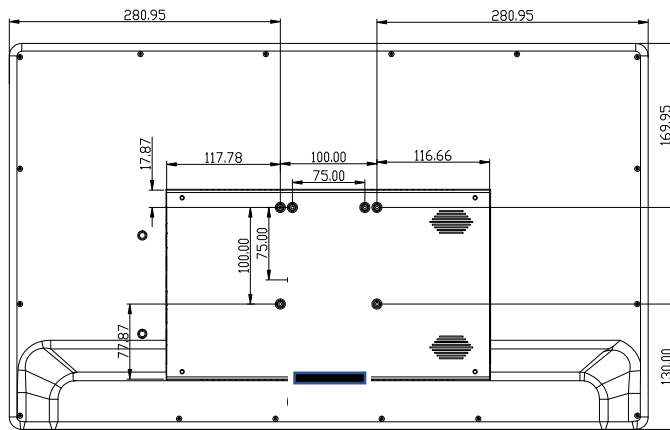
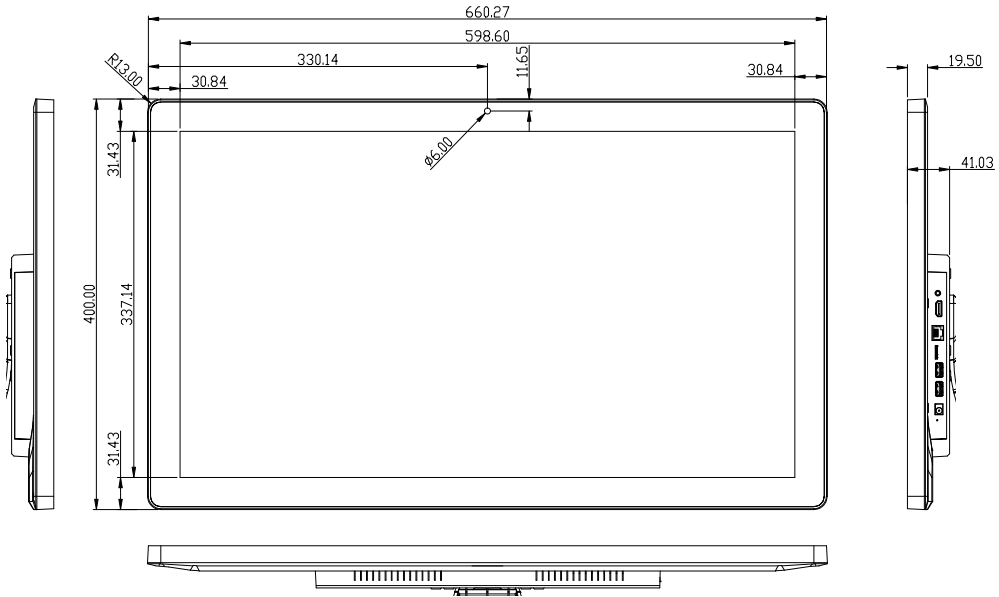
Specifications



*Specifications are typical and subject to change.

Octab 27" - OCTAB270P-T-1

Specifications



*Specifications are typical and subject to change.

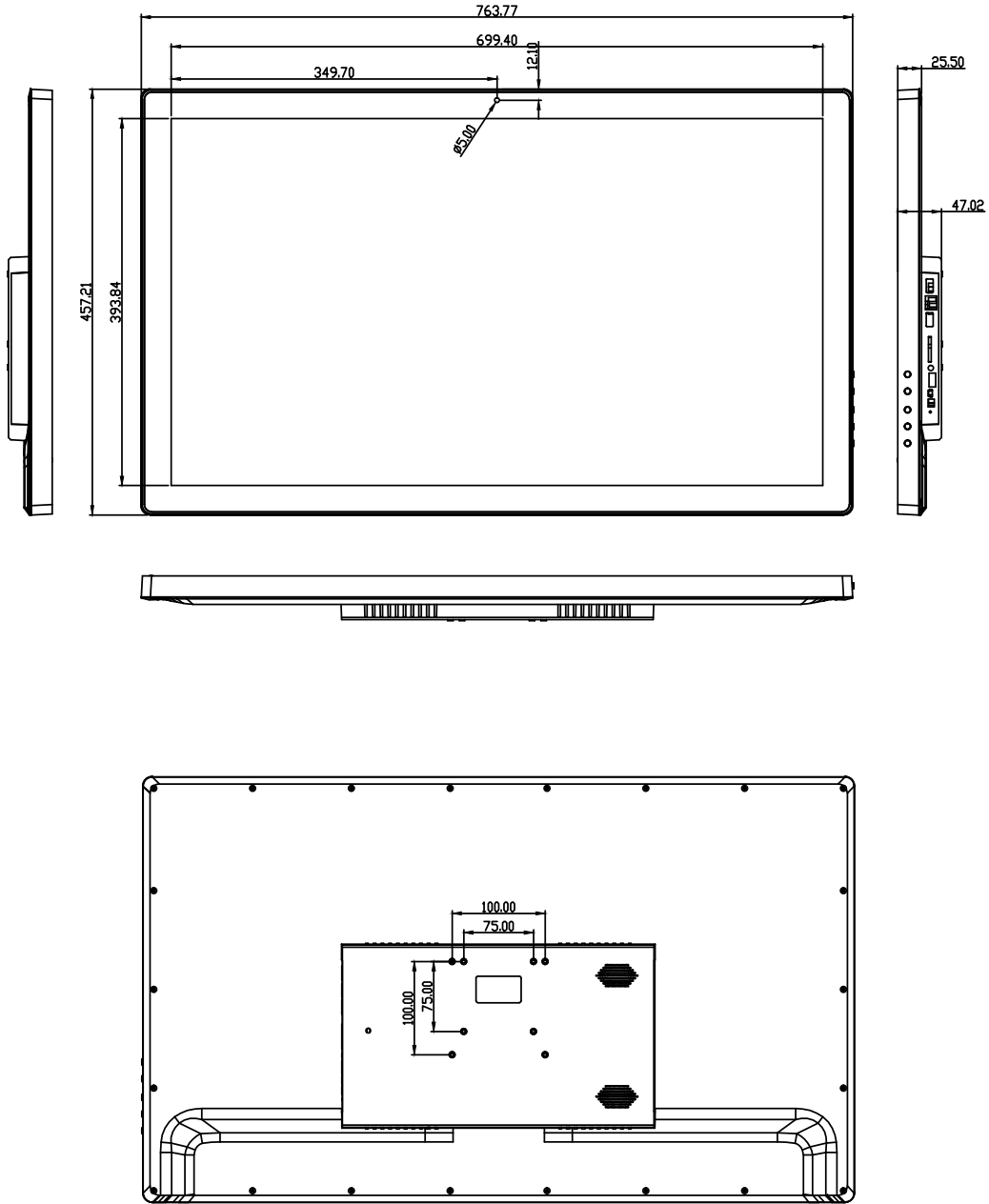
Call Us: +44 (0)870 005 5520



Email: eva2@adseries.com

Octab 32" - OCTAB320P-T-1

Specifications



*Specifications are typical and subject to change.

Call Us: +44 (0)870 005 5520



Email: eva2@adseries.com