

L3 Range

Specifications



L3 Range

Our **Lightframe L3 Signage displays** are market leaders delivering both simple, low cost, lightweight signage plus intelligent feature set and customisation options

Key Features

**USB/mains/
battery power
options**



24 Hour Commercial Use



Overview

Our **Lightframe L3 Signage displays** are market leaders delivering both simple, low cost, lightweight signage plus intelligent feature set and customisation options

Available in standard sizes 5", 7" & 10" with 1.5" – 4.3" as custom orders, the L3s deliver unrivalled flexibility for installation, power source and accessories making it the perfect choice for all

Markets

- POS/POP
- Cardboard housing
- Shelf edge
- Giveaways
- Short term applications & campaigns
- Low cost format for presenting compliance data to customers

Key Features



24 Hour
Commercial Use

USB/mains/ battery power options

L3 Range

Specifications



OPERATION

A commercially designed alternative to digital photo frames with comparable price points. On connection to USB power, displays will auto-start playing content on loop until power is disconnected – operation requires no buttons or remote control. Models with speaker function have movement sensor that either mutes sound when no movement is detected or puts the display on low-power sleep mode (selectable option on latest 7" & 10" models). Content is stored on internal memory or micro SD/TIFF card.

SPECIFICATIONS – STANDARD DISPLAYS

Frame type	Super-lightweight high density foam & acrylic construction. Can be used standalone or integrated and with a variety of our specialist frames and mounts	Power & cable	Supplied as standard with 0.7m 5V USB power cable. USB extension leads available in 1.5m & 3m lengths. USB plugs appropriate for deployment territory if using mains power.	
Internal memory	200mb internal	Content loading	Content is loaded and updated via USB PC connection OR micro SD card. Content can be pre-loaded prior to delivery (charge applies for displays supplied from stock).	
Volume	+/- volume control buttons on rear			
Mounting & fixing	Smooth, flush** plastic cover front and back allows both the front and the rear of the displays to be bonded onto substrates and surfaces. Double sided tape or velcro is recommended. RAPID75 adhesive mounting plate available for fitting to standard 75mm VESA or for secure wall hanging. A simple shelf can also be created within a POS housing. Our exclusive freestanding acrylic holders can also be used with branded card inserts (see previous page) **not currently 5" model with PIR			
Interactive options	Available with PIR movement sensor/speaker option. PIR either mutes sound or puts display on low-power sleep when no movement is detected. This is a user selectable feature on latest 7" & 10" models.	Warranty	18 months	
Powering from other devices	For additional flexibility, displays can also be powered from a till or computer using a USB extension cable.	Certifications	As appropriate for country of deployment	

MODEL DATA

STANDARD DISPLAYS					
Screen Size	Product Code	Dimensions w x h x d mm	Resolution	Playback formats supported	Weight (g)
5"	L3050P	143 x 117 x 13.5	480 x 272	AVI, MPEG1, 2 & 4, Divx	195g
	L3050P-PIR	175 x 117 x 13.5			215g
7"	L3070P	186 x 126 x 15.5	800 x 480		265g
	L3070P-PIR	210 x 126 x 15.5			291g
10.1"	L3101P	262 x 175 x 15.5	1024 x 600		527g
	L3101P-PIR	285 x 175 x 15.5			579g
SPECIAL ORDER DISPLAYS – MOQ 200 PCS					
Screen Size	Product Code	Typical Resolution	Overview		
1.5"	L3015P/-PIR	128 x 128	Available as displayers, with interactive button or with PIR/speaker combination 3.7V lithium battery USB power 1.5" – 3.5": ANI 4.3": AVI, MPEG1, 2 & 4, Divx MOQ 200pcs		
1.8"	L3018P/-PIR	128 x 160			
2.4"	L3024P/-PIR	320 x 240			
2.8"	L3028P/-PIR	320 x 240			
3.5"	L3035P/-PIR	320 x 240			
4.3"	L3043P/-PIR	480 x 272			

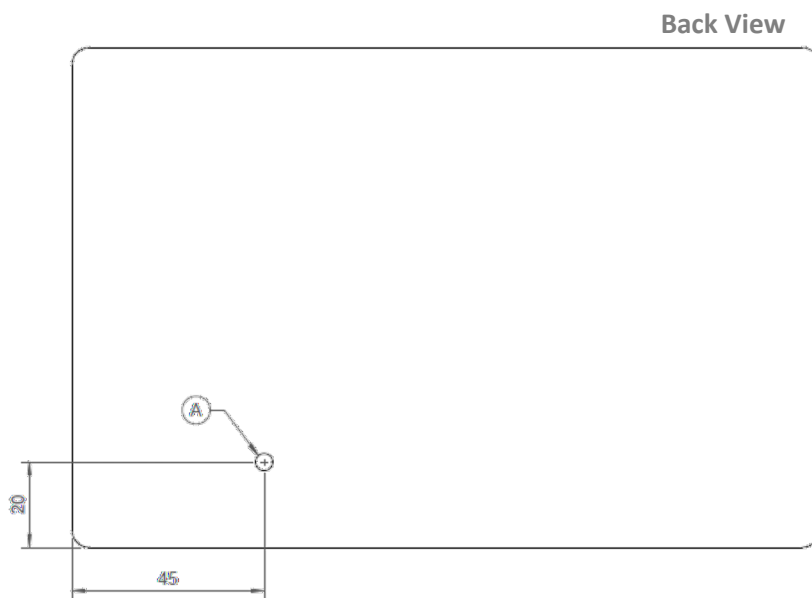
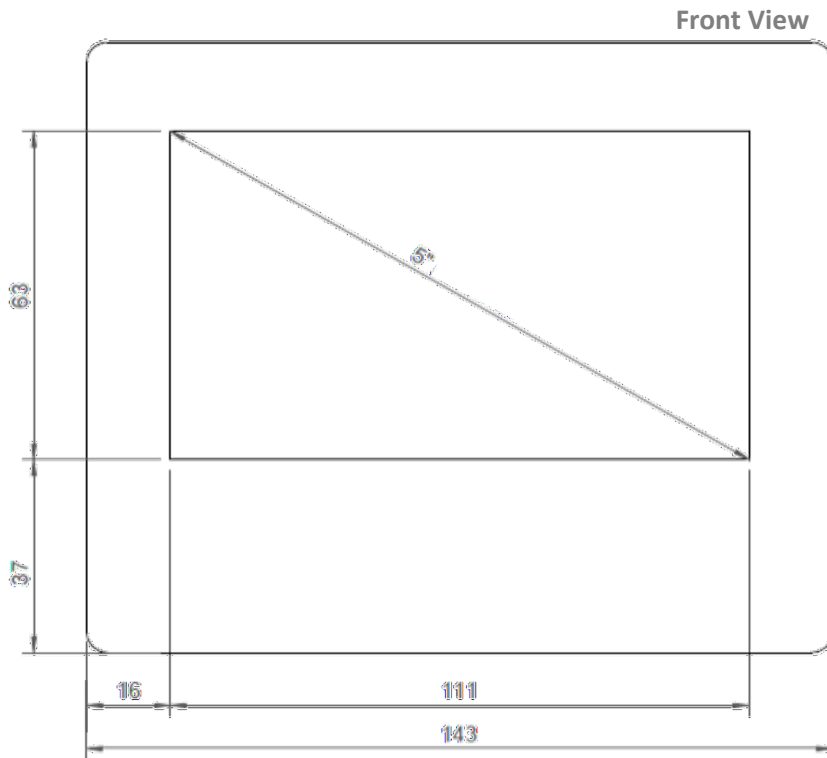
*Specifications are typical and subject to change.

Technical Drawings Index L3

Screen Size	Page number
5"	<u>5</u>
5" PIR	<u>6</u>
7"	<u>7</u>
7" PIR	<u>8</u>
10"	<u>9</u>
10" PIR	<u>10</u>

5" Light Frame L3050P

Specifications



REV	DATE	DESCRIPTION	ISSUE	RP	INITIAL
-	17/03				
AD SERIES DISPLAYS MANUFACTURING LTD					
UNIT 49, ELDON WAY INDUSTRIAL ESTATE, PADDOCK WOOD, TONBRIDGE, KENT, TN12 6BE TEL - 0870 0055 520 www.adseries.com					
PRODUCT CODE L3050P					
PRODUCT NAME 5" LIGHT FRAME DISPLAY					
PRODUCT DESCRIPTION 200Mb INTERNAL MEMORY, SUPPORTS AVI, MPEG, DIVX, WALL MOUNT POWER, 0.7M USB CABLE					
DRAWING NUMBER AD0027-01					
DRAWN BY RP		APPROVED BY MB		DATE 17/03/2015	
REV -		SCALE NTS		SHEET NO. 1 OF 1	
ALL DIMENSIONS SHOWN IN MILLIMETERS - UNLESS STATED OTHERWISE				THIRD ANGLE PROJECTION	
THIS DRAWING IS THE PROPERTY OF 'AD SERIES DISPLAYS MANUFACTURING' AND CONTAINS CONFIDENTIAL AND COPYRIGHT MATERIAL.					
NO PART OF THIS DRAWING MAY BE REPRODUCED OR TRANSMITTED IN ANY FORM OR BY ANY MEANS, ELECTRONIC OR MECHANICAL, FOR ANY PURPOSE, WITHOUT THE EXPRESS WRITTEN PERMISSION OF 'AD SERIES DISPLAYS MANUFACTURING'.					
© 2016 AD SERIES DISPLAYS MANUFACTURING. ALL RIGHTS RESERVED					

NOTES:-

A - USB CABLE ENTRY, 0.7M LONG

*Specifications are typical and subject to change.

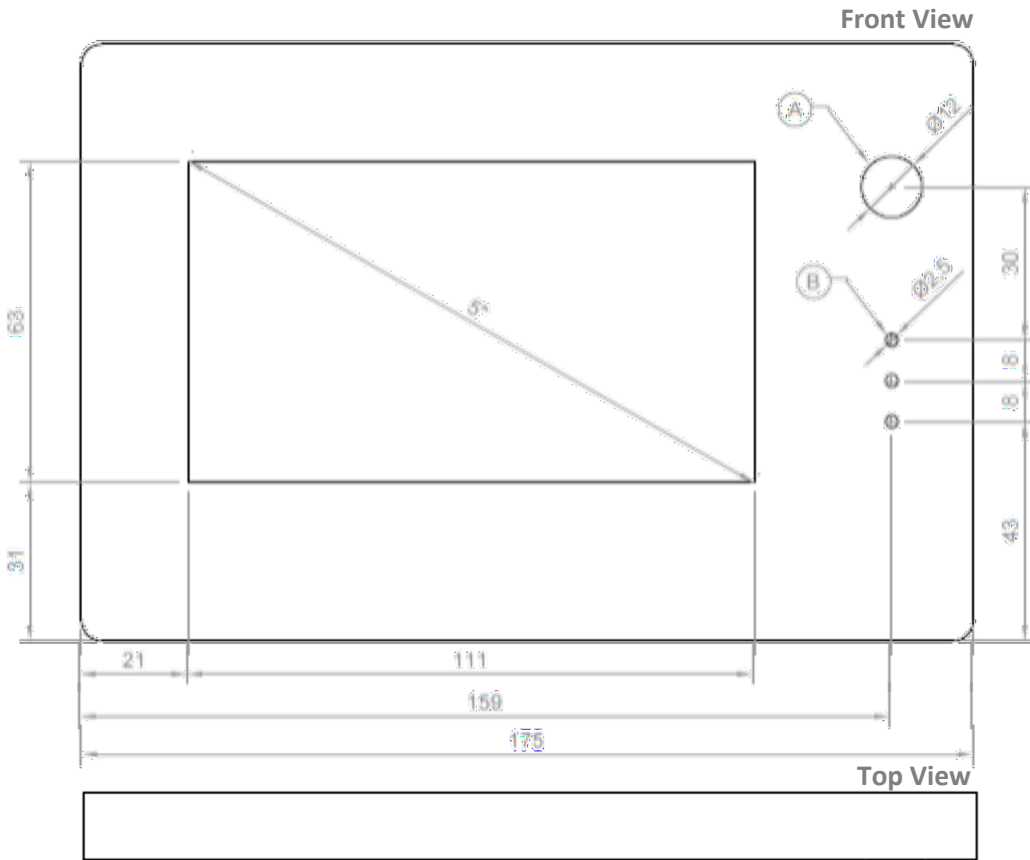
Call Us: +44 (0)870 005 5520



Email: eva2@adseries.com

5" Light Frame with PIR L3050P-PIR

Specifications

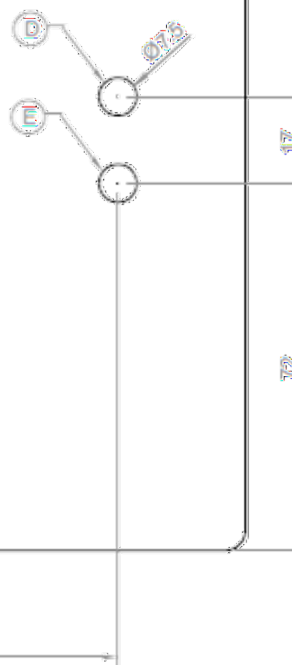


Top View

Back View

NOTES:-

- A - PIR SENSOR**
- B - AUDIO HOLES x3**
- C - USB CABLE ENTRY, 0.7M LONG**



REV	DATE	DESCRIPTION	RP	INITIAL
AD SERIES DISPLAYS MANUFACTURING LTD UNIT 49, ELDON WAY INDUSTRIAL ESTATE, PADDOCK WOOD, TONBRIDGE, KENT, TN12 6BE TEL - 0870 0055 520 www.adseries.com				
PRODUCT CODE				
L3050P-PIR				
PRODUCT NAME				
5" LIGHT FRAME DISPLAY CW PIR/AUDIO				
PRODUCT DESCRIPTION				
200Mb INTERNAL MEMORY, SUPPORTS AVI, MPEG, DIVX, WALL MOUNT POWER, 0.7M USB CABLE				
DRAWING NUMBER				
AD0006-01				
DRAWN BY	APPROVED BY	DATE		
RP	MB	13/22.02.2016		
REV	SCALE	SHEET NO.		
-	1:2 @ A4	1 OF 1		
ALL DIMENSIONS SHOWN IN MILLIMETERS - UNLESS STATED OTHERWISE			THIRD ANGLE PROJECTION	
THIS DRAWING IS THE PROPERTY OF 'AD SERIES DISPLAYS MANUFACTURING' AND CONTAINS CONFIDENTIAL AND COPYRIGHT MATERIAL.				
NO PART OF THIS DRAWING MAY BE REPRODUCED OR TRANSMITTED IN ANY FORM OR BY ANY MEANS, ELECTRONIC OR MECHANICAL, FOR ANY PURPOSE, WITHOUT THE EXPRESS WRITTEN PERMISSION OF 'AD SERIES DISPLAYS MANUFACTURING'.				
©2015 AD SERIES DISPLAYS MANUFACTURING. ALL RIGHTS RESERVED				

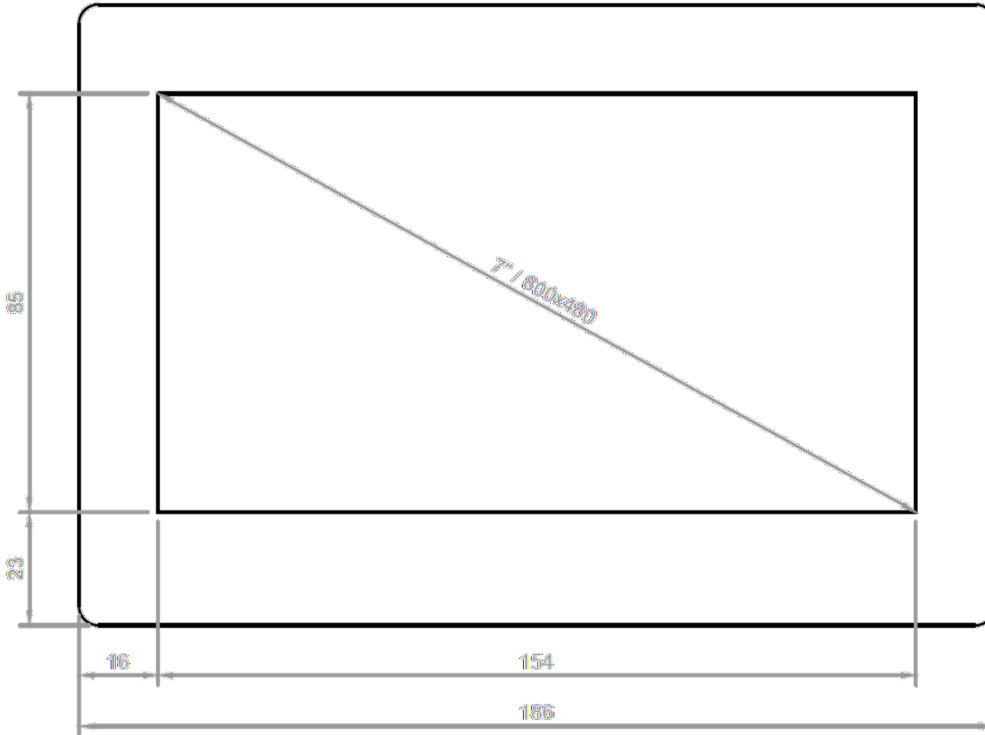
*Specifications are typical and subject to change.

7" Light Frame L3070P

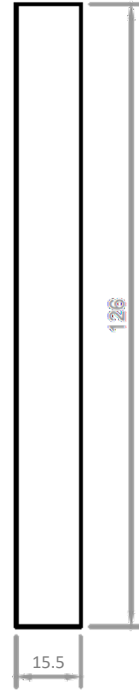
Specifications



Front View



Side View



Back View



REV	DATE	DESCRIPTION	INITIAL
-	13/01	ISSUE	RP
AD SERIES DISPLAYS MANUFACTURING LTD UNIT 49, ELDON WAY INDUSTRIAL ESTATE, PADDOCK WOOD, TONBRIDGE, KENT, TN12 6BE TEL - 0870 0055 520 www.adseries.com			
PRODUCT CODE			
L3070P			
PRODUCT NAME			
7" LIGHT FRAME DISPLAY			
PRODUCT DESCRIPTION			
200Mb INTERNAL MEMORY, SUPPORTS AVI, MPEG, DIVX, WALL MOUNT POWER, 0.7M USB CABLE			
DRAWING NUMBER			
AD0008-01			
DRAWN BY	APPROVED BY	DATE	
RP	MB	13/01/2015	
REV	SCALE	SHEET NO.	
-	NTS	1 OF 1	
ALL DIMENSIONS SHOWN IN MILLIMETERS - UNLESS STATED OTHERWISE			THIRD ANGLE PROJECTION
THIS DRAWING IS THE PROPERTY OF 'AD SERIES DISPLAYS MANUFACTURING' AND CONTAINS CONFIDENTIAL AND COPYRIGHT MATERIAL. NO PART OF THIS DRAWING MAY BE REPRODUCED OR TRANSMITTED IN ANY FORM OR BY ANY MEANS, ELECTRONIC OR MECHANICAL, FOR ANY PURPOSE, WITHOUT THE EXPRESS WRITTEN PERMISSION OF 'AD SERIES DISPLAYS MANUFACTURING'.			
© 2015 AD SERIES DISPLAYS MANUFACTURING. ALL RIGHTS RESERVED			

NOTES:-

A - USB CABLE ENTRY, 0.7M LONG

*Specifications are typical and subject to change.

Call Us: +44 (0)870 005 5520



Email: eva2@adseries.com

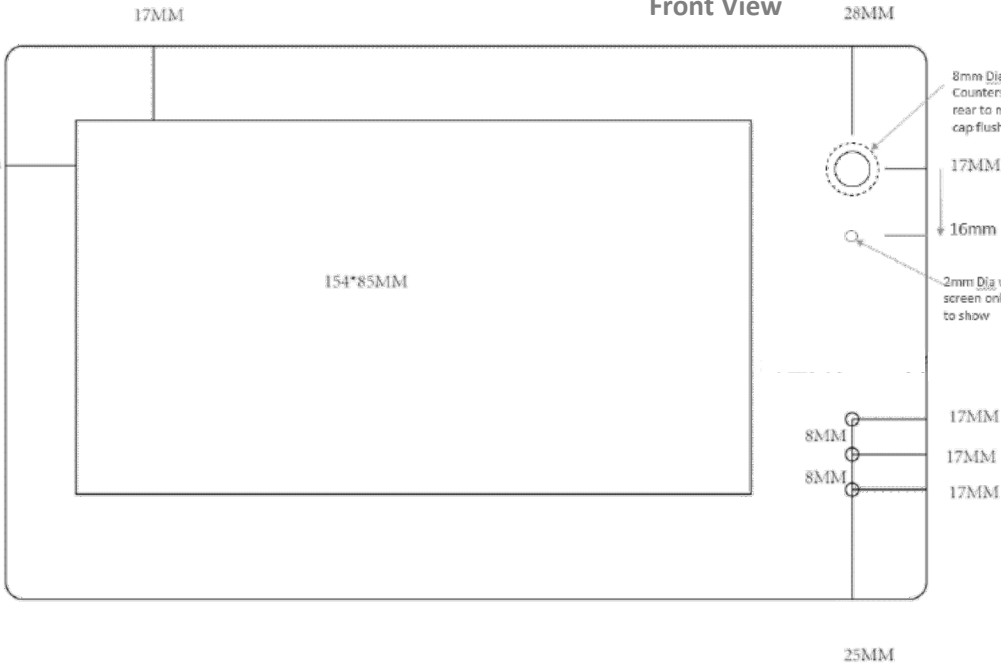
7" Light Frame with PIR L3070P-PIR

Specifications



Front View

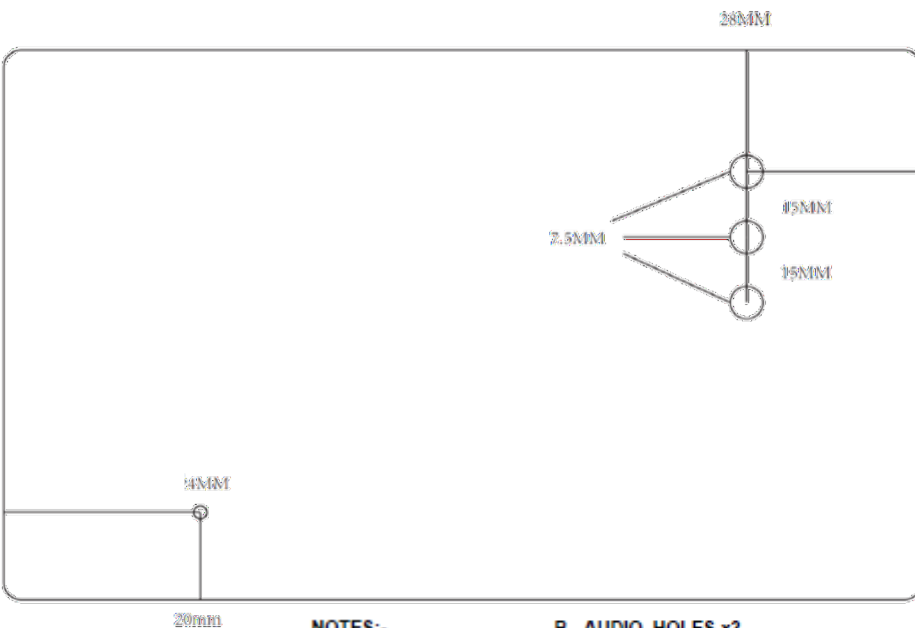
Side View



Top View



Back View



NOTES:-

A - PIR SENSOR

B - AUDIO HOLES x3

C - USB CABLE ENTRY, 0.7M LONG

REV	DATE	DESCRIPTION	RP	INITIAL
-	13/01	ISSUE	RP	
AD SERIES DISPLAYS MANUFACTURING LTD UNIT 49, ELDON WAY INDUSTRIAL ESTATE, PADDOCK WOOD, TONBRIDGE, KENT, TN12 6BE TEL - 0870 0055 520 www.adseries.com				
PRODUCT CODE				
L3070P-PIR V02V03				
PRODUCT NAME				
7" LIGHT FRAME DISPLAY C/W PIR/AUDIO				
PRODUCT DESCRIPTION				
200Mb INTERNAL MEMORY, SUPPORTS AVI, MPEG, 50VDC WALL MOUNT POWER, 0.7M USB CABLE				
DRAWING NUMBER				
AD0005-01				
DRAWN BY		APPROVED BY		DATE
RP		MB		11/07/16
REV		SCALE		SHEET NO.
-		NTS		1 OF 1
ALL DIMENSIONS SHOWN IN MILLIMETERS - UNLESS STATED OTHERWISE			THIRD ANGLE PROJECTION	
THIS DRAWING IS THE PROPERTY OF AD SERIES DISPLAYS MANUFACTURING AND CONTAINS CONFIDENTIAL AND COPYRIGHT MATERIAL. NO PART OF THIS DRAWING MAY BE REPRODUCED OR TRANSMITTED IN ANY FORM OR BY ANY MEANS, ELECTRONIC OR MECHANICAL, FOR ANY PURPOSE, WITHOUT THE EXPRESS WRITTEN PERMISSION OF AD SERIES DISPLAYS MANUFACTURING.				
© 2015 AD SERIES DISPLAYS MANUFACTURING. ALL RIGHTS RESERVED				

*Specifications are typical and subject to change without notice.

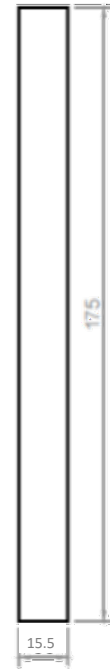
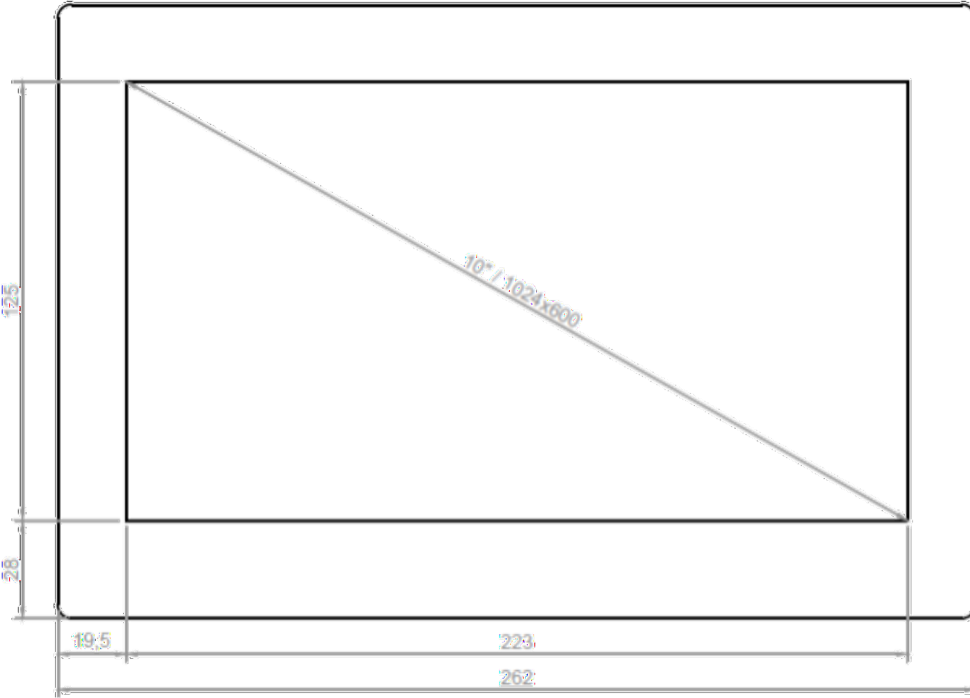
10" Light Frame L3101P

Specifications

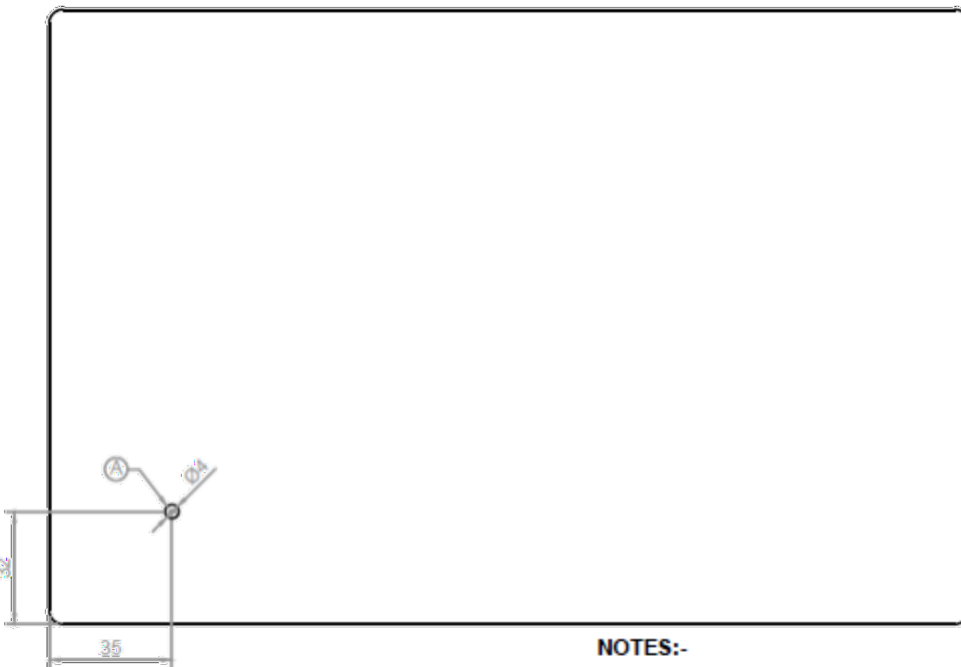


Front View

Side View



Back View



NOTES:-

A - USB CABLE ENTRY, 0.7M LONG

- 13/01		ISSUE	RP
REV	DATE	DESCRIPTION	INITIAL
AD SERIES DISPLAYS MANUFACTURING LTD UNIT 49, ELDON WAY INDUSTRIAL ESTATE, PADDOCK WOOD, TONBRIDGE, KENT, TN12 6BE TEL - 0870 0055 520 www.adseries.com			
PRODUCT CODE			
L3101P			
PRODUCT NAME			
10" LIGHT FRAME DISPLAY			
PRODUCT DESCRIPTION			
200Mb INTERNAL MEMORY, SUPPORTS AVI, MPEG, DIVX, WALL MOUNT POWER, 0.7M USB CABLE			
DRAWING NUMBER			
AD0004-01			
DRAWN BY	APPROVED BY	DATE	
RP	MB	13/01/2015	
REV	SCALE	SHEET NO.	
-	NTS	1 OF 1	
ALL DIMENSIONS SHOWN IN MILLIMETERS - UNLESS STATED OTHERWISE		THIRD ANGLE PROJECTION	
THIS DRAWING IS THE PROPERTY OF 'AD SERIES DISPLAYS MANUFACTURING' AND CONTAINS CONFIDENTIAL AND COPYRIGHT MATERIAL. NO PART OF THIS DRAWING MAY BE REPRODUCED OR TRANSMITTED IN ANY FORM OR BY ANY MEANS, ELECTRONIC OR MECHANICAL, FOR ANY PURPOSE, WITHOUT THE EXPRESS WRITTEN PERMISSION OF 'AD SERIES DISPLAYS MANUFACTURING'. © 2015 AD SERIES DISPLAYS MANUFACTURING. ALL RIGHTS RESERVED			

*Specifications are typical and subject to change.

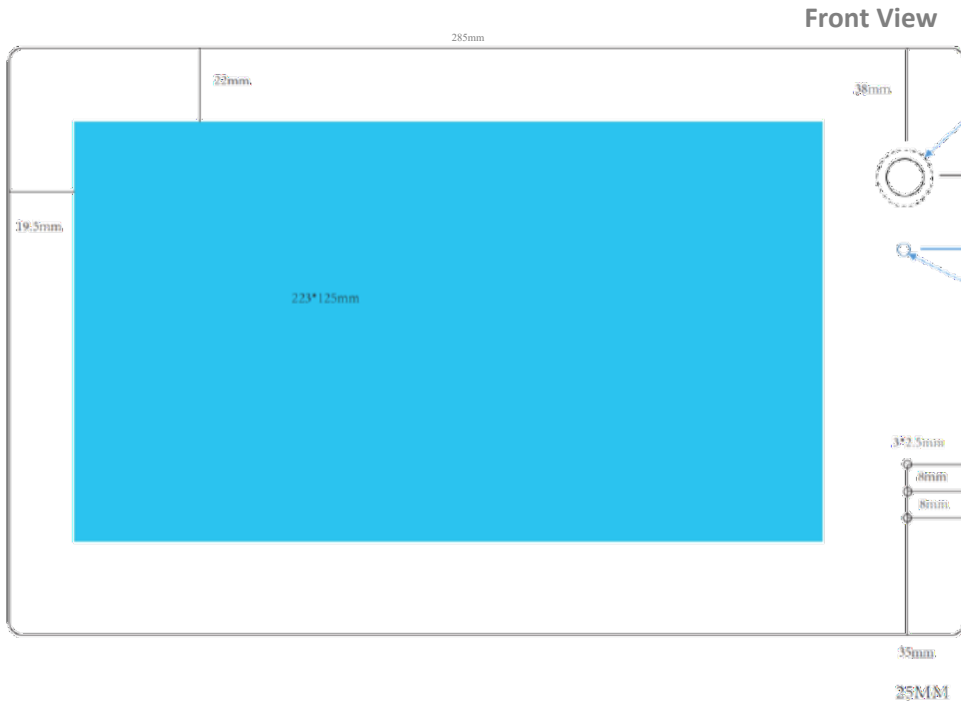
Call Us: +44 (0)870 005 5520



Email: eva2@adseries.com

10" Light Frame with PIR L3101P-PIR

Specifications



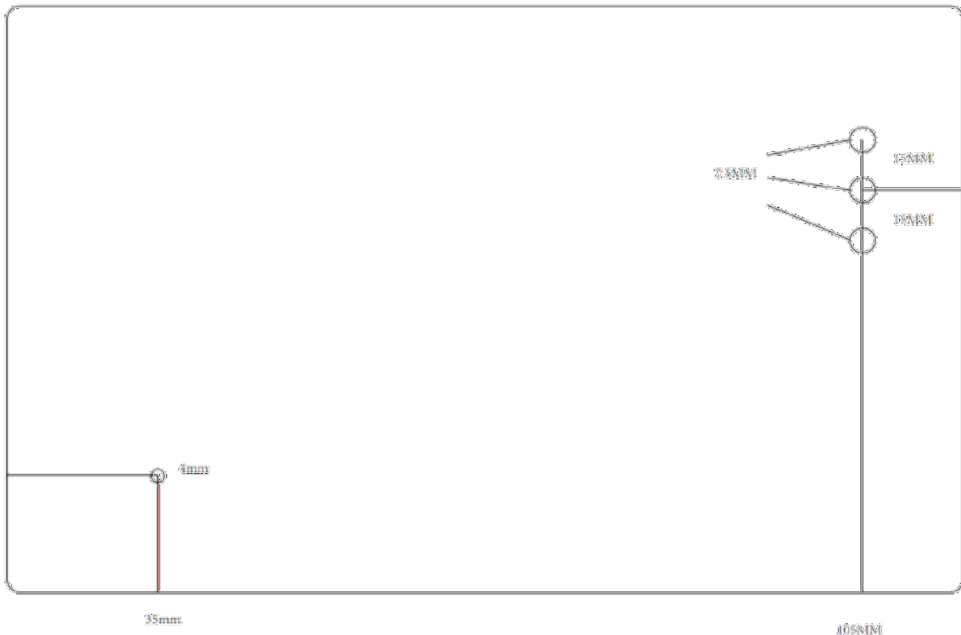
Side View



Bottom View



Back View



8mm Dia hole, Counterstink from rear to make PIR cap flush (level)
19mm
16mm
2mm Dia window, in silk screen only, will allow LED to show

NOTES:-

- A - PIR SENSOR
- B - AUDIO HOLES x3
- C - USB CABLE ENTRY, 0.7M LONG
- D - VOLUME CONTROLS +/-
- E - MICRO-SD CARD

REV	DATE	DESCRIPTION	RP	INITIAL
-	1008	ISSUE		RP
AD SERIES DISPLAYS MANUFACTURING LTD UNIT 49, ELDON WAY INDUSTRIAL ESTATE, PADDOCK WOOD, TONBRIDGE, KENT, TN12 6BE TEL - 0870 0055 520 www.adseries.com				
PRODUCT CODE				
L3101P-PIR-V02V03				
PRODUCT NAME				
10" LIGHT FRAME DISPLAY C/W PIR/AUDIO/MICRO-SD				
PRODUCT DESCRIPTION				
200Mb INTERNAL MEMORY, 0.7m USB POWER CABLE, PIR, AUDIO WITH EXTERNAL REAR VOLUME CONTROL AND MICRO-SD CARD				
DRAWING NUMBER				
AD0048-01				
DRAWN BY		APPROVED BY		DATE
RP		MB		11/07/16
REV		SCALE		SHEET NO.
-		NTS		1 OF 1
ALL DIMENSIONS SHOWN IN MILLIMETERS - UNLESS STATED OTHERWISE			THIRD ANGLE PROJECTION	
THIS DRAWING IS THE PROPERTY OF 'AD SERIES DISPLAYS MANUFACTURING' AND CONTAINS CONFIDENTIAL AND COPYRIGHT MATERIAL. NO PART OF THIS DRAWING MAY BE REPRODUCED OR TRANSMITTED IN ANY FORM OR BY ANY MEANS, ELECTRONIC OR MECHANICAL, FOR ANY PURPOSE, WITHOUT THE EXPRESS WRITTEN PERMISSION OF 'AD SERIES DISPLAYS MANUFACTURING'. © 2015 AD SERIES DISPLAYS MANUFACTURING. ALL RIGHTS RESERVED				

*Specifications are typical and subject to change.

Call Us: +44 (0)870 005 5520



Email: eva2@adseries.com