

# Octab Range - Lite

Specifications

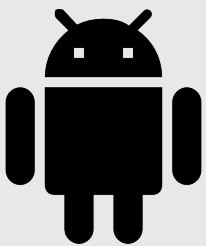
AD SERIES



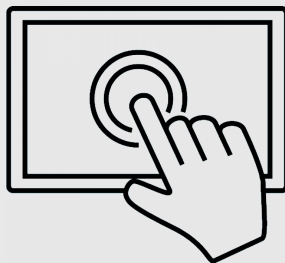
## Octab Range - Lite

Low cost, highly reliable professional tablets for deploying Android. Designed for 24/7 Commercial use. Compact & rugged. Touchscreen as standard. Also available with no touch.

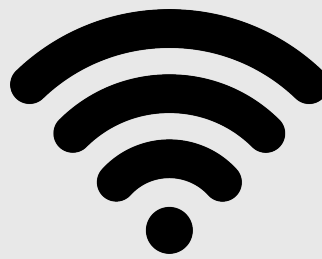
### Key Features



Android



Capacitive  
Touchscreen



Wifi Enabled



24 Hour  
Commercial Use



## Overview

Low cost, highly reliable professional tablets for deploying Android. Designed for 24/7 Commercial use. Compact & rugged. Touchscreen as standard. Also available with no touch.

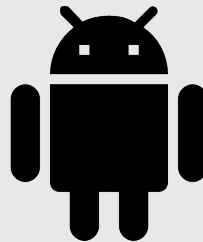
## Markets

Our Android tablets are designed to address retail and commercial sector applications unmatched by consumer tablets – robust, highly reliable and in an unbeatable range of sizes. They cater for both simple and more complex apps

## Benefits

- Compact & rugged.
- A64 Lite,
- Highly reliable, designed for 24/7 commercial use
- Auto-on
- Smaller screen sizes available
- Available for customisation and economical for larger production

## Key Features



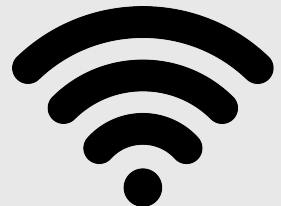
Android



24 Hour Commercial Use



Capacitive Touchscreen



Wifi Enabled

# Octab Range - Lite

Specifications



| Screen size            |  |  |  |  |
|------------------------|--|--|--|--|
| Screen Size            | 10.1"  | 11.6"  | 14.1"  | 15.6"  |
| Panel                  |  |  |  |  |
| Resolution             | 1280x800   | 1920x1080  | 1920x1080  | 1920x1080  |
| Aspect Ratio           | 16:9   | 16:9   | 16:9   | 16:9   |
| Viewing Angle          | 89x89x89x89  | 89x89x89x89  | 85x85x85x85  | 85x85x85x85  |
| Active Area            | 216.96x135.6   | 256.32x144.18  | 309.21x173.98  | 344.16x193.59  |
| Brightness             | 250-600  | 250-600  | 250-600  | 250-600  |
| Contrast               | 900:1  | 800:1  | 800:1  | 800:1  |
| Touch                  |  |  |  |  |
| Touch Technology       | Capactive Touch (G+G optional)   | Capactive Touch (G+G optional)   | Capactive Touch (G+G optional)   | Capactive Touch (G+G optional)   |
| Touch Points           | 10   | 10   | 10   | 10   |
| Hardware & OS          |  |  |  |  |
| CPU                    | A64 Quad Core  | A64 Quad Core  | A64 Quad Core  | A64 Quad Core  |
| RAM                    | 1Gb  | 1Gb  | 1Gb  | 1Gb  |
| Storage                | 8Gb  | 8Gb  | 8Gb  | 8Gb  |
| OS                     | Android version 6.1  | Android version 6.1  | Android version 6.1  | Android version 6.1  |
| Power                  |  |  |  |  |
| Power Consumption      | 24   | 24   | 36   | 36   |
| Power Requirement      | 12V 2A   | 12V 2A   | 12V 3A   | 12V 3A (2A)  |
| Power Jack             | USB Host 2.0 Interface 2   | USB Host 2.0 Interface 2   | USB Host 2.0 Interface 2   | USB Host 2.0 Interface 2   |
| Connections            |  |  |  |  |
| USB Device             | Yes  | Yes  | Yes  | Yes  |
| USB Quantity           |  |  |  |  |
| USB Host               | 1.7mm  | 1.7mm  | 1.7mm  | 1.7mm  |
| HDMI                   | HDMI Output  | HDMI Output  | HDMI Output  | HDMI Output  |
| Wifi                   | WiFi 2.4 GHz 802.11b/g/n (optional 5GHz 802.11a)                         | WiFi 2.4 GHz 802.11b/g/n (optional 5GHz 802.11a)                         | WiFi 2.4 GHz 802.11b/g/n (optional 5GHz 802.11a)                         | WiFi 2.4 GHz 802.11b/g/n (optional 5GHz 802.11a)                         |
| Ethernet               | No   | No   | No   | No   |
| Bluetooth              | Bluetooth 4.0  | Bluetooth 4.0  | Bluetooth 4.0  | Bluetooth 4.0  |
| 3G dongle              | 3G USB dongle ext.   | 3G USB dongle ext.   | 3G USB dongle ext.   | 3G USB dongle ext.   |
| Card Slot              | SD,Support up to 32GB  | SD,Support up to 32GB  | SD,Support up to 32GB  | SD,Support up to 32GB  |
| Earphone               | 3.5mm earphone   | 3.5mm earphone   | 3.5mm earphone   | 3.5mm earphone   |
| Media                  |  |  |  |  |
| Video Format           | WMV, AVI, FLV, RM, RMVB, MPEG, TS, MP4, etc. RK3288: support up to 1080p | WMV, AVI, FLV, RM, RMVB, MPEG, TS, MP4, etc. RK3288: support up to 1080p | WMV, AVI, FLV, RM, RMVB, MPEG, TS, MP4, etc. RK3288: support up to 1080p | WMV, AVI, FLV, RM, RMVB, MPEG, TS, MP4, etc. RK3288: support up to 1080p |
| Image Format           | BMP, JPEG, PNG, GIF  | BMP, JPEG, PNG, GIF  | BMP, JPEG, PNG, GIF  | BMP, JPEG, PNG, GIF  |
| Audio Format           | MP3/WMA/AAC  | MP3/WMA/AAC  | MP3/WMA/AAC  | MP3/WMA/AAC  |
| Optional               |  |  |  |  |
| Camera                 | 2.0M/P Front   | 2.0M/P Front   | 2.0M/P Front   | 2.0M/P Front   |
| Accessories            |  |  |  |  |
| Included In Box        | Power Supply   | Power Supply   | Power Supply   | Power Supply   |
| General Information    |  |  |  |  |
| Speakers               | 2x 2W  | 2x 2W  | 2x 2W  | 2x 3W  |
| Colour                 | Black  | Black  | Black  | Black  |
| Language               | Multi-language   | Multi-language   | Multi-language   | Multi-language   |
| Working Temperature    | 0-50 degrees   | 0-50 degrees   | 0-50 degrees   | 0-50 degrees   |
| Unit Size (LxWxHmm)    | 260.54x178.54x27.50  | 284.65x182.25x27.48  | 355x228x?  | 403.76x252.76x33.50  |
| Package Size (LxWxHmm) | 286x256x74   | 350x25875  | 373x320x78   | 480x295x88   |
| Vesa Mounting (mm)     | 75x75  | 75x75  | 75x75  | 75x75  |
| Unit Weight (kg)       | 0.65   | 0.44   | 0.95   | 1.36   |
| Package Weight (kg)    | 0.82   | 0.76   | 1.4  | 2.25   |

\*Specifications are typical and subject to change.

Call Us: +44 (0)870 005 5520



Email: [eva2@adseries.com](mailto:eva2@adseries.com)

# Octab Range - Lite

Specifications



| Screen size            |  |  |  |  |  |
|------------------------|--|--|--|--|--|
| Screen Size            | 17.3"  | 21.5"  | 23.8"  | 27"  | 32"  |
| Panel                  |  |  |  |  |  |
| Resolution             | 1920x1080  | 1920x1080  | 1920x1080  | 1920x1080  | 1920x1080  |
| Aspect Ratio           | 16:9   | 16:9   | 16:9   | 16:9   | 16:9   |
| Viewing Angle          | 85x85x85x85  | 89x89x89x89  | 89x89x89x89  | 89x89x89x89  | 89x89x89x89  |
| Active Area            | 381.89x214.81  | 474.64x268.11  | 527.04x296.46  | 597.6x336.15   | 698.4x392.85   |
| Brightness             | 250-600  | 250-600  | 250-600  | 250-600  | 250-600  |
| Contrast               | 800:1  | 3000:1   | 1000:1   | 3000:1   | 1000:1   |
| Touch                  |  |  |  |  |  |
| Touch Technology       | Capacitive Touch (G+G optional)  | Capacitive Touch (G+G optional)  | Capacitive Touch (G+G optional)  | Capacitive Touch (G+G optional)  | Capacitive Touch (G+G optional)  |
| Touch Points           | 10   | 10   | 10   | 10   | 10   |
| Hardware & OS          |  |  |  |  |  |
| CPU                    | A64 Quad Core  | A64 Quad Core  | A64 Quad Core  | A64 Quad Core  | A64 Quad Core  |
| RAM                    | 1Gb  | 1Gb  | 1Gb  | 1Gb  | 1Gb  |
| Storage                | 8Gb  | 8Gb  | 8Gb  | 8Gb  | 8Gb  |
| OS                     | Android version 6.1  | Android version 6.1  | Android version 6.1  | Android version 6.1  | Android version 6.1  |
| Power                  |  |  |  |  |  |
| Power Consumption      | 36   | 36   | 48   | 48   | 60   |
| Power Requirement      | 12V 3A   | 12V 3A   | 12V 4A   | 12V 4A   | 12V 5A   |
| Power Jack             | USB Host 2.0 Interface 2   | USB Host 2.0 Interface 2   | USB Host 2.0 Interface 2   | USB Host 2.0 Interface 2   | USB Host 2.0 Interface 2   |
| Connections            |  |  |  |  |  |
| USB Device             | Yes  | Yes  | Yes  | Yes  | Yes  |
| USB Quantity           |  |  |  |  |  |
| USB Host               | 1.7mm  | 1.7mm  | 1.7mm  | 1.7mm  | 1.7mm  |
| HDMI                   | HDMI Output  | HDMI Output  | HDMI Output  | HDMI Output  | HDMI Output  |
| Wifi                   | WiFi 2.4 GHz 802.11b/g/n (optional 5GHz 802.11a)                         | WiFi 2.4 GHz 802.11b/g/n (optional 5GHz 802.11a)                         | WiFi 2.4 GHz 802.11b/g/n (optional 5GHz 802.11a)                         | WiFi 2.4 GHz 802.11b/g/n (optional 5GHz 802.11a)                         | WiFi 2.4 GHz 802.11b/g/n (optional 5GHz 802.11a)                         |
| Ethernet               | No   | No   | No   | Yes  | Yes  |
| Bluetooth              | Bluetooth 4.0  | Bluetooth 4.0  | Bluetooth 4.0  | Bluetooth 4.0  | Bluetooth 4.0  |
| 3G dongle              | 3G USB dongle ext.   | 3G USB dongle ext.   | 3G USB dongle ext.   | 3G USB dongle ext.   | 3G USB dongle ext.   |
| Card Slot              | SD,Support up to 32GB  | SD,Support up to 32GB  | SD,Support up to 32GB  | SD,Support up to 32GB  | SD,Support up to 32GB  |
| Earphone               | 3.5mm earphone   | 3.5mm earphone   | 3.5mm earphone   | 3.5mm earphone   | 3.5mm earphone   |
| Media                  |  |  |  |  |  |
| Video Format           | WMV, AVI, FLV, RM, RMBV, MPEG, TS, MP4, etc. RK3288: support up to 1080p | WMV, AVI, FLV, RM, RMBV, MPEG, TS, MP4, etc. RK3288: support up to 1080p | WMV, AVI, FLV, RM, RMBV, MPEG, TS, MP4, etc. RK3288: support up to 1080p | WMV, AVI, FLV, RM, RMBV, MPEG, TS, MP4, etc. RK3288: support up to 1080p | WMV, AVI, FLV, RM, RMBV, MPEG, TS, MP4, etc. RK3288: support up to 1080p |
| Image Format           | BMP, JPEG, PNG, GIF  | BMP, JPEG, PNG, GIF  | BMP, JPEG, PNG, GIF  | BMP, JPEG, PNG, GIF  | BMP, JPEG, PNG, GIF  |
| Audio Format           | MP3/WMA/AAC  | MP3/WMA/AAC  | MP3/WMA/AAC  | MP3/WMA/AAC  | MP3/WMA/AAC  |
| Optional               |  |  |  |  |  |
| Camera                 | 2.0M/P Front   | 2.0M/P Front   | N/A (optional)   | N/A (optional)   | N/A (optional)   |
| Accessories            |  |  |  |  |  |
| Included In Box        | Power Supply   | Power Supply   | Power Supply   | Power Supply   | Power Supply   |
| General Information    |  |  |  |  |  |
| Speakers               | 2x 3W  | 2x 3W  | 2x 5W  | 2x 5W  | 2x 5W  |
| Colour                 | Black  | Black  | Black  | Black  | Black  |
| Language               | Multi-language   | Multi-language   | Multi-language   | Multi-language   | Multi-language   |
| Working Temperature    | 0-50 degrees   | 0-50 degrees   | 0-50 degrees   | 0-50 degrees   | 0-50 degrees   |
| Unit Size (LxWxHmm)    |  | 539.11x332.21x39.75  | 595.5x363.1x43.6   | 660.27x400x41.03   | 763.77x457.21x47.02  |
| Package Size (LxWxHmm) |  | 582x430x89   | 660x455x115  | 725x490x120  | 860x555x135  |
| Vesa Mounting (mm)     | 100x100  | 100x100  | 100x100  | 75x75, 100x100   | 75x75, 100x100   |
| Unit Weight (kg)       |  | 2.84   | 5  | 6.9  | 9.45   |
| Package Weight (kg)    |  | 3.75   | 6.5  | 8.85   | 10.52  |

\*Specifications are typical and subject to change.

Call Us: +44 (0)870 005 5520



Email: [eva2@adseries.com](mailto:eva2@adseries.com)



## Technical Drawings Index Octab

Screen Size

Page number

10.1"

6

11.6"

7

14.1"

8

15.6"

9

17.3"

10

21.5"

11

23.8"

12

27"

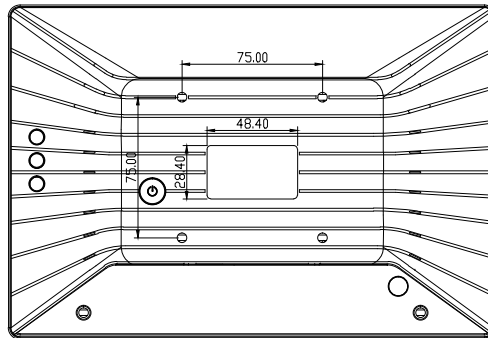
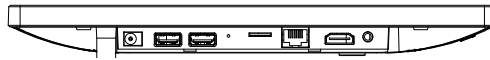
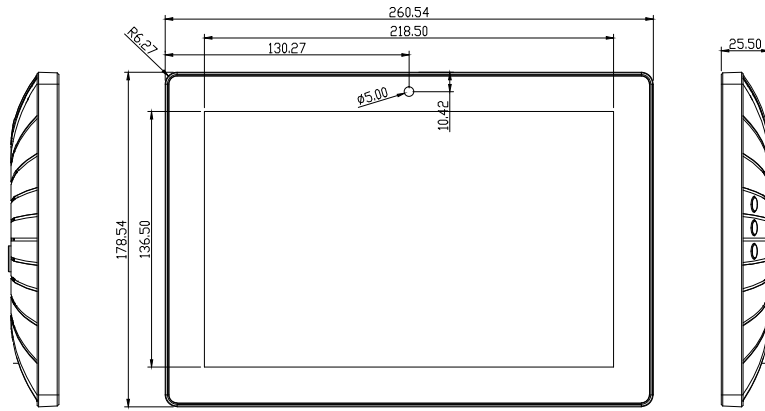
13

32"

14

# Octab 10.1"

Specifications



\*Specifications are typical and subject to change.

Call Us: +44 (0)870 005 5520

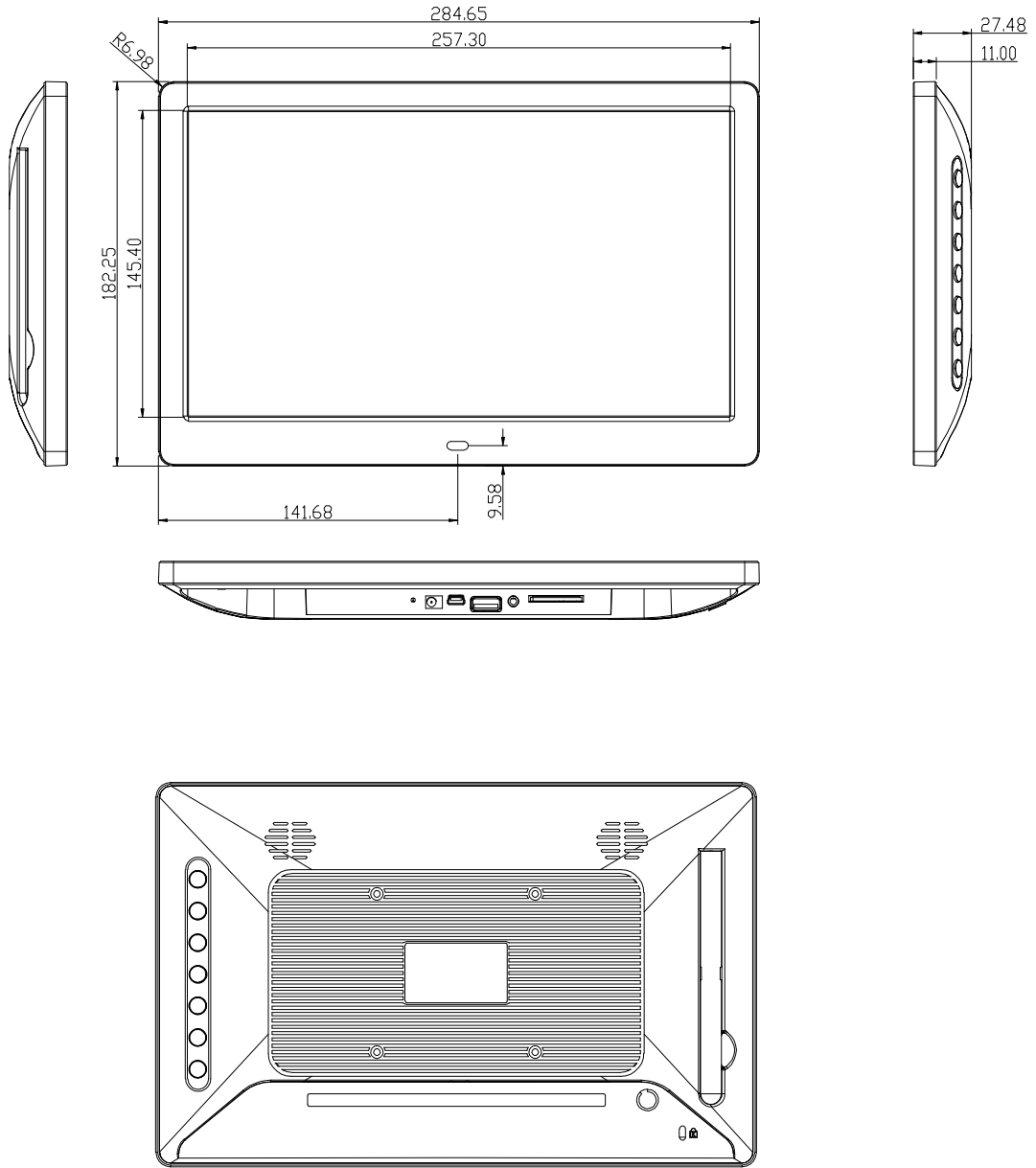


Email: [eva2@adseries.com](mailto:eva2@adseries.com)

# Octab 11.6"



## Specifications

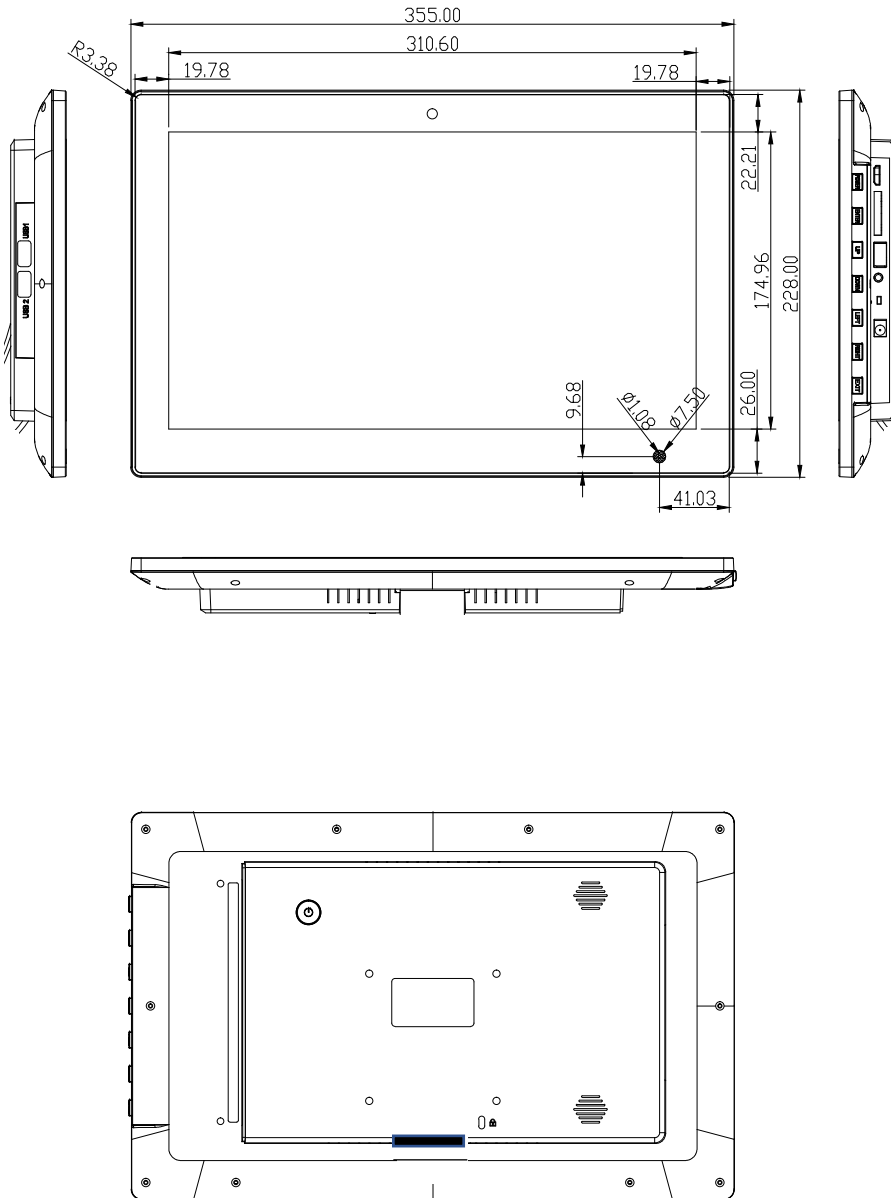


\*Specifications are typical and subject to change.

# Octab 14.1"

AD SERIES

Specifications



\*Specifications are typical and subject to change.

Call Us: +44 (0)870 005 5520

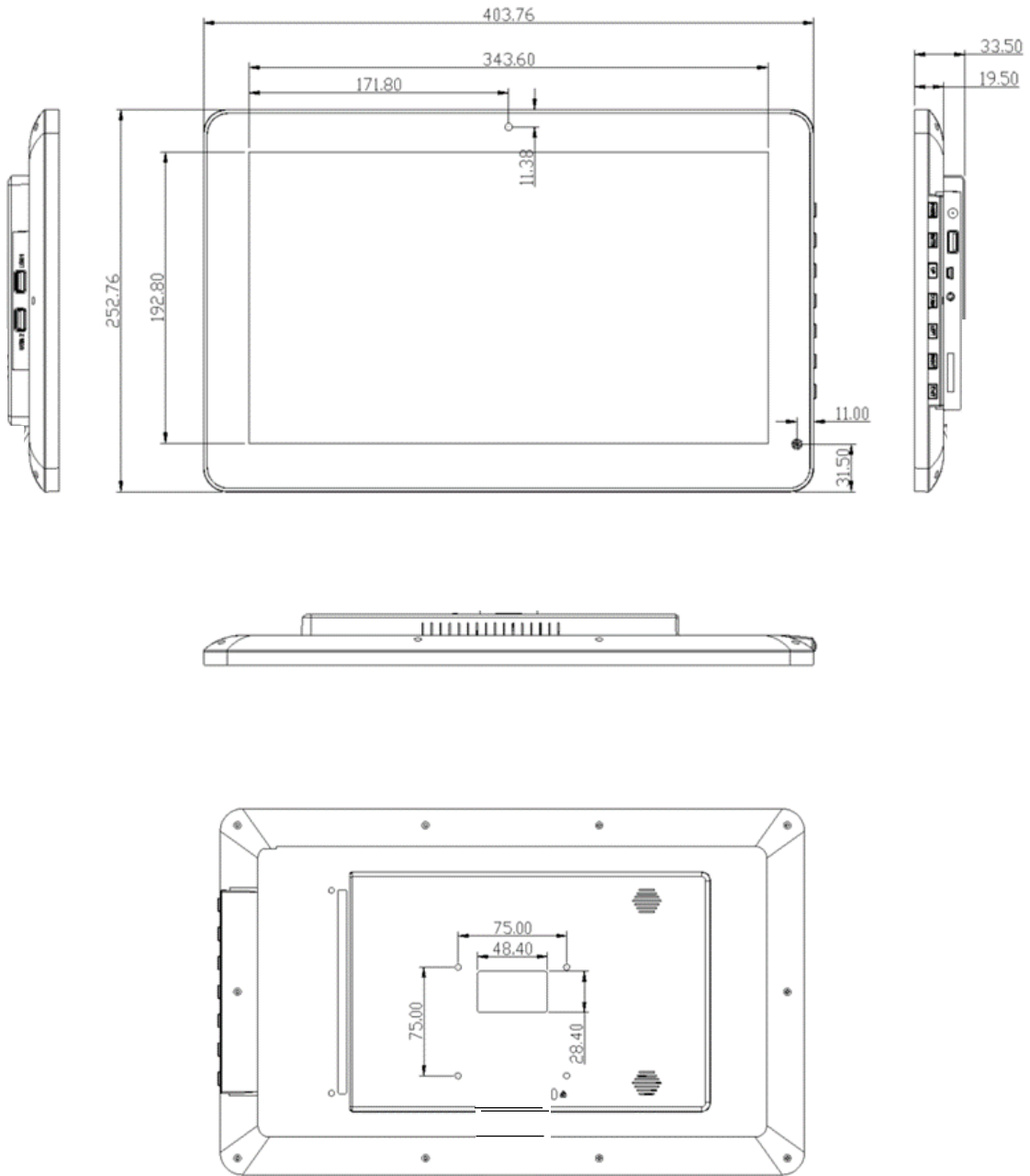


Email: [eva2@adseries.com](mailto:eva2@adseries.com)



# Octab 15.6"

Specifications



\*Specifications are typical and subject to change.

Call Us: +44 (0)870 005 5520

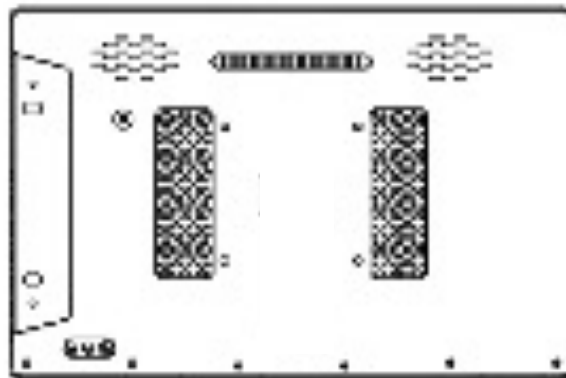
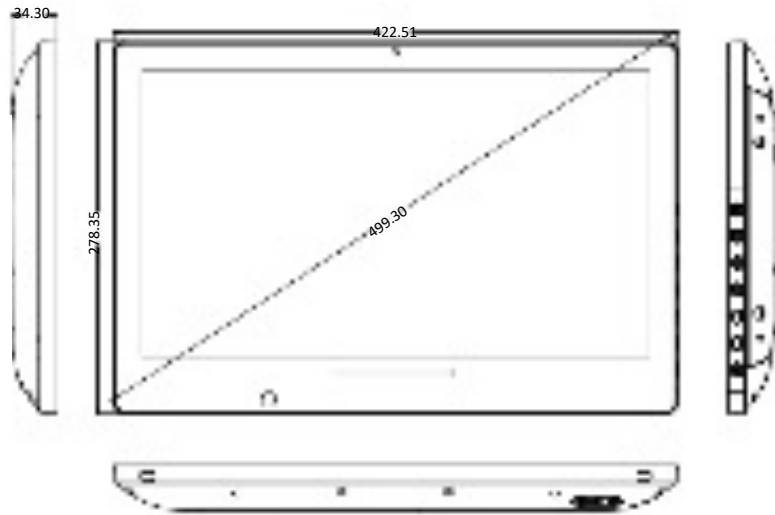


Email: [eva2@adseries.com](mailto:eva2@adseries.com)

# Octab 17.3"



Specifications



\*Specifications are typical and subject to change.

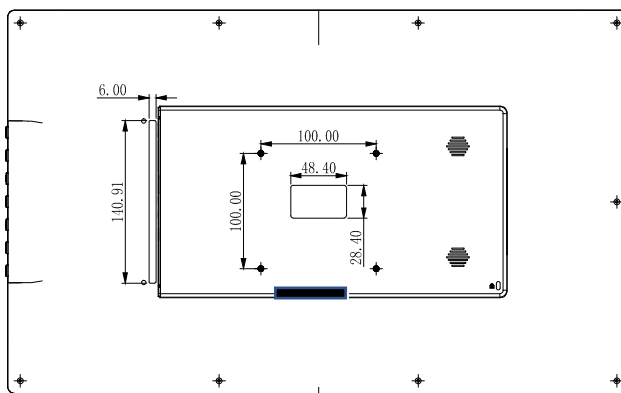
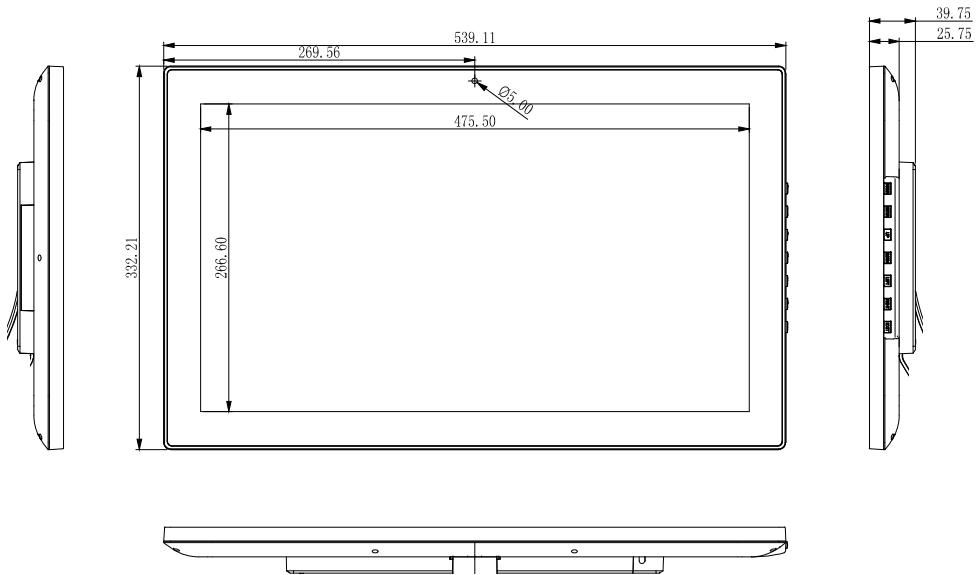
Call Us: [+44 \(0\)870 005 5520](tel:+44(0)8700055520)



Email: [eva2@adseries.com](mailto:eva2@adseries.com)

# Octab 21.5"

## Specifications

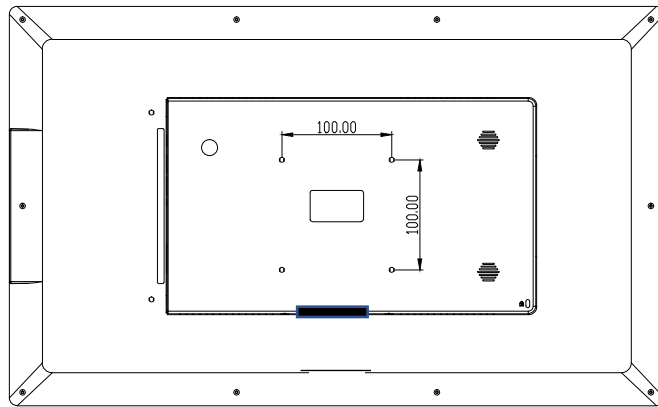
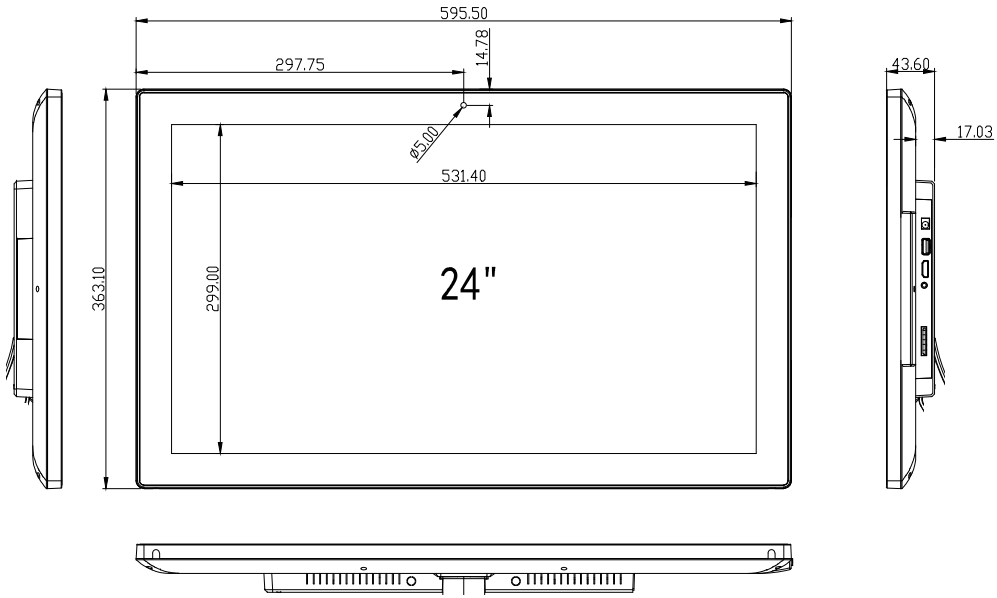


\*Specifications are typical and subject to change.

# Octab 23.8"

AD SERIES

Specifications



\*Specifications are typical and subject to change.

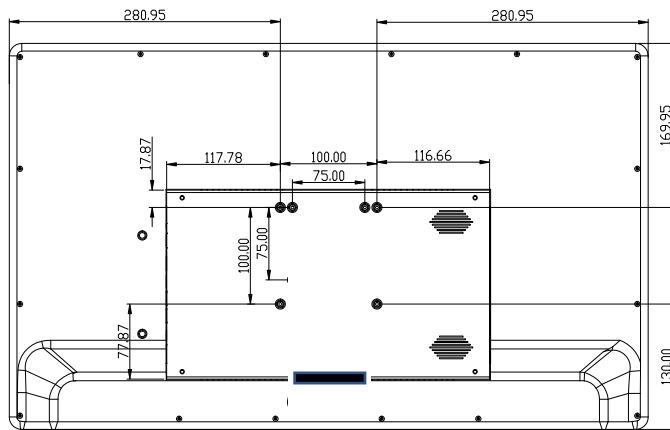
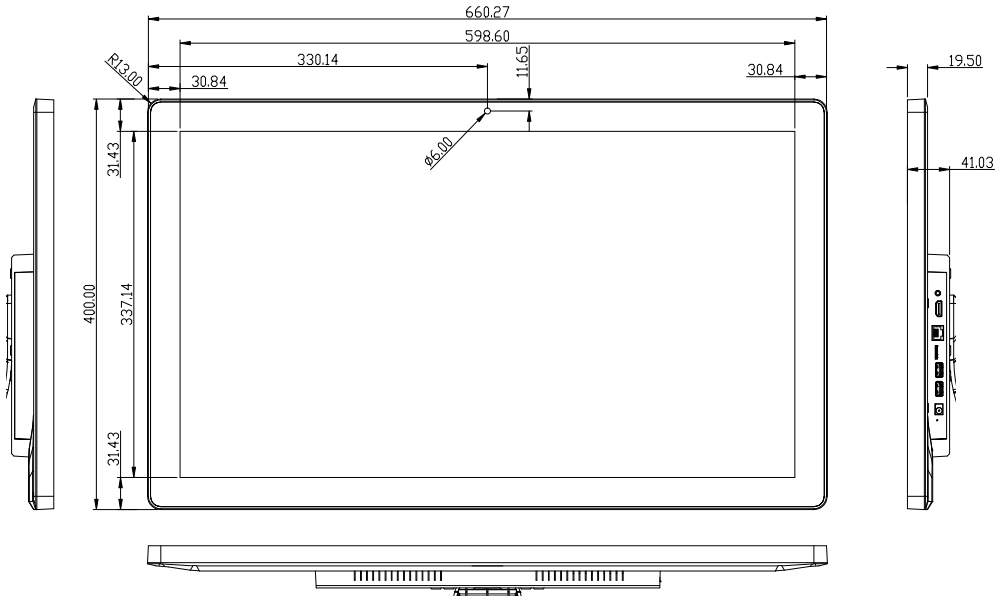
Call Us: +44 (0)870 005 5520



Email: [eva2@adseries.com](mailto:eva2@adseries.com)

Octab 27"

Specifications



\*Specifications are typical and subject to change.

Call Us: +44 (0)870 005 5520

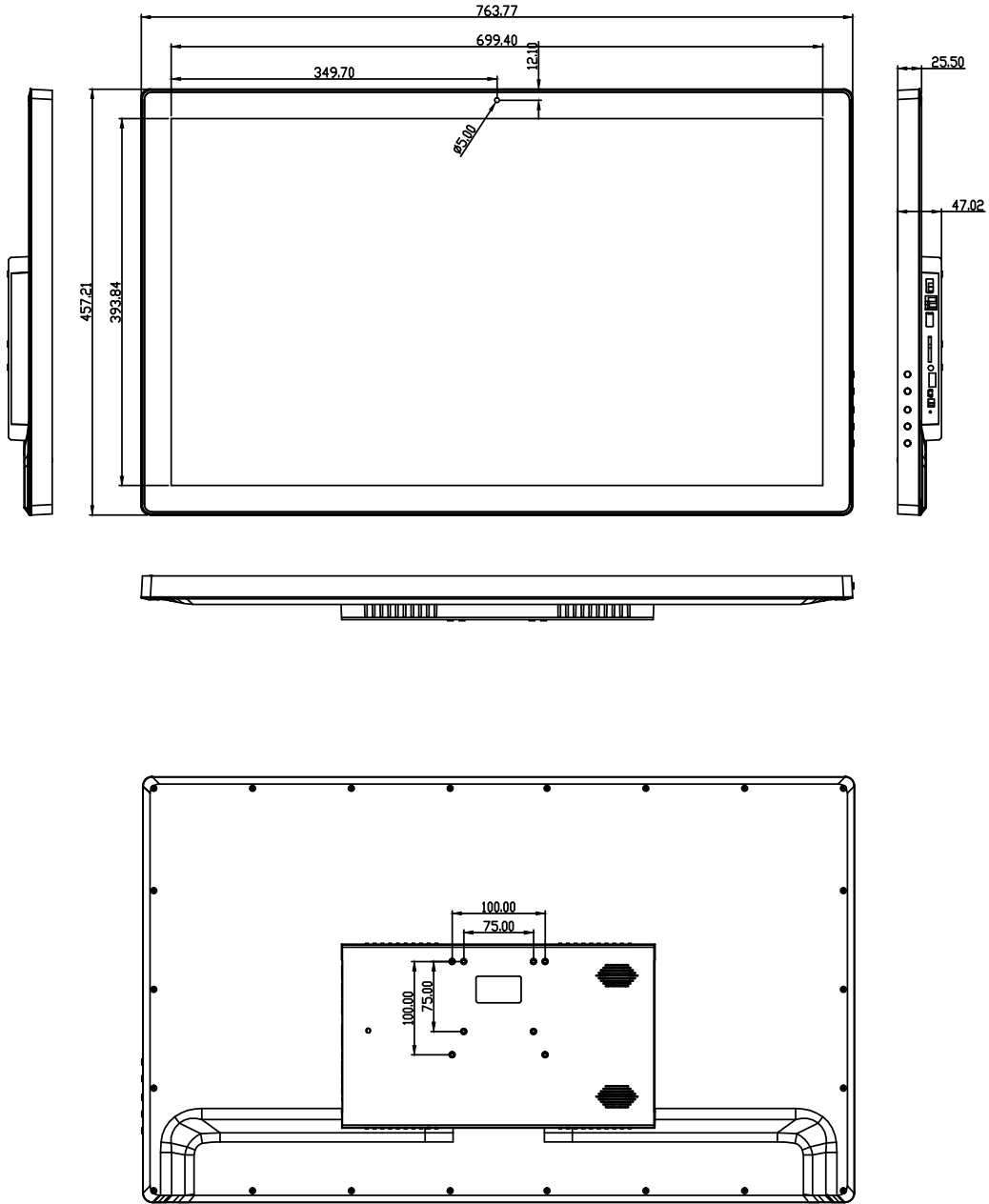


Email: [eva2@adseries.com](mailto:eva2@adseries.com)

# Octab 32"

AD SERIES

Specifications



\*Specifications are typical and subject to change.

Call Us: +44 (0)870 005 5520



Email: [eva2@adseries.com](mailto:eva2@adseries.com)